



PRICE LIST

Established in 1975, Aqua-Quip is an Australian family-owned business which remains dedicated to founder Roy Halle's vision and unwavering commitment to manufacturing in Australia. As such, the entire range of Aqua-Quip lighting and Jet-Vac products is proudly produced in our Sydney facility.

Aqua-Quip endeavours to support other Australian manufacturers, suppliers and artisan producers, constantly striving to provide the best quality Australian made product. Indeed, Aqua-Quip is continuing to raise the benchmark by creating and pioneering unique products which are designed to enhance every swimming pool.

Our stated mission is to innovate, focus on quality and to always exceed customer expectations. With this in mind, we continue to make inroads into markets abroad, exporting both the Jet-Vac pool cleaner and the range of Aqua-Quip LED Pool Lights, whilst remaining firmly committed to the Australian swimming pool market.

We'd like to thank our valued and loyal customers for their continued support of our products and services.

*Candy Gold and Gary Clark*



Automatic Pool Cleaners (Australia) Pty Ltd.  
 40 Percy Street Auburn, NSW 2144 Australia.  
 P +61 2 9643 8338 F +61 2 9643 8448  
 E [aqua@aquaquip.com.au](mailto:aqua@aquaquip.com.au)  
**[aquaquip.com.au](http://aquaquip.com.au)**  
 Facebook: Aqua-Quip Australia  
 Instagram: [aquaquip\\_au](https://www.instagram.com/aquaquip_au)



Pricelist Effective  
 1st August 2023

© 2023 Copyright Automatic Pool Cleaners (Australia) Pty Ltd. Prices and specifications are subject to change without notice.

## EQUIPMENT

- 4 | **Jet-Vac Automatic Pool Cleaner**
- 5 | **Booster Pumps and Flow Control Pro Plus Timer**
- 6 | **Saltmate, Suctions & Eyeballs**
- 7 | **Aquea Products**
- 8 | **Transformers**
- 9 | **InstaTouch Smart Lighting Controller & Dual Zone Remote Controller**
- 10 | **Evo2 LED Underwater Light – Concrete Niche style**
- 11 | **EvoMAX LED Underwater Light – Concrete Niche style**
- 12 | **Aurora LED Underwater Light – Concrete Niche style + EvoCR**
- 13 | **EvoFG LED Underwater Light – Fibreglass Niche style**
- 14 | **QC Retro-Fit ID Chart**
- 15 | **QC Series Surface Mounted Concrete, QC Retro & QC Quattro**
- 16 | **EvoLV Concrete Pipe Light - 50mm Pipe Installation**
- 17 | **EvoLV Concrete Pipe Light - Niche Installation**
- 18-24 | **Retro-Fit Niche Lights**

## SPARE PARTS

- 25-27 | **Jet-Vac Spare Parts**
- 28 | **Evo2 LED Underwater Light – Spare Parts**
- 29 | **EvoMAX LED Underwater Light – Spare Parts**
- 30 | **QC Series Surface Mounted Lights – Spare Parts**
- 31 | **QC Spare Parts + EvoFG Spare Parts**
- 32 | **EvoLV Spare Parts & Diagrams**
- 33 | **Multi-Colour Lights – Operating Manual**
- 34 | **Multi-Colour Lights – Controller Compatibility Guide**
- 35 | **Multi-Colour Lights – Third Party Guide**
- 36 | **AquaBoost Pump – Spare Parts**
- 37 | **USA Booster Pump – Spare Parts**

- 38 | **QR Downloads & Links**
- 39 | **Terms and Conditions of Sale**

# JET-VAC Automatic Pool Cleaner

- The fastest cleaner available – with the biggest throat!
- Replaces all other pressure pool cleaners
- Proven reliability

The huge 115mm throat picks up twigs, large leaves, dirt, even golf balls and goggles! Large capacity bag compacts up to 3.5 litres of rubbish.

Unlike other pool cleaners that struggle to get traction on tiled and glass bead pool interiors, Jet-Vac handles these slippery surfaces with ease, and won't get stuck in corners.

Jet-Vac lives in the pool keeping the pool clean all year round and does not need to be continually removed, stored away and re-deployed.



Code	Part #	Description
LJV 101	JV105AU	Jet-Vac Head and Hose Set <b>BLUE</b>
LJV 104	JV109AU	Jet-Vac Head Only <b>BLUE</b>
LJV 105	JV209AU	Jet-Vac Hose Set Complete <b>BLUE</b>
LJV 108	JV300AU	Jet-Vac Platinum Package <b>BLUE</b> (Includes Jet-Vac Head and Hose, Booster Pump and Flow Control Timer)
LJV 101G	JV105AUG	Jet-Vac Head And Hose Set <b>GRAPHITE</b>
LJV 104G	JV109AUG	Jet-Vac Head Only <b>GRAPHITE</b>
LJV 105G	JV209AUG	Jet-Vac Hose Set Complete <b>GRAPHITE</b>
LJV 108G	JV300AUG	Jet-Vac Platinum Package <b>GRAPHITE</b> (Includes Jet-Vac Head and Hose, Booster Pump and Flow Control Timer)

Spare Parts and Diagrams on Pages 25-27.

# BOOSTER Pumps

*Compact and simple to install, the Aqua-Quip Booster Pump operates quietly and is the perfect partner for the Jet-Vac Automatic Pool Cleaner.*

Robust and reliable design ensures a long life with minimal maintenance. It also operates all other pressure driven pool cleaners.

Available with flexible plumbing connections or with PVC Barrel Unions.

Pump is installed after the filter and draws water from the pool return line. The booster pump must only operate whilst the pool pump is running.

Spare Parts – see page 37.

Code	Description
LJV 301	USA Booster Pump with Flexi Plumbing Kit
LJV 103	USA Booster Pump with PVC Plumbing Kit



# FLOW CONTROL

Pro Plus Timer

**New Design With Larger Backlit Display.**

*The Aqua-Quip Flow Control Pro Plus Timer eliminates the possibility of the booster pump running dry of water as a result of incorrect synchronisation with the pool pump.*

Reduces wear and tear on the pool cleaner and saves expensive pump repairs. Saves power consumption by limiting the operating hours of the booster pump.

The Aqua-Quip Flow Control Pro Plus Timer with its integrated flow switch is significantly more reliable and much simpler than installing two separate time clocks.

New setting allows the user to set run times to synchronise with variable speed pumps.

Aqua-Quip's 2 year warranty provides the user ultimate peace of mind.

Code	Description
DCC 240	Flow Control Pro Plus Timer (Incl Flow Switch)
DCC 231	Flow Switch Only

Specify when ordering if 40mm or 50mm Faucet Tee is required.



DCC 231 is supplied with a 2.4m cable

# SALTMATE, SUCTIONS & EYEBALLS

## SALTMATE SALT CHLORINATORS - WITH TIMECLOCK

Powerful and reliable salt chlorinating system to save the pool owner money, time and effort while setting new standards in materials, quality and functionality.

Code	Description
SSC 020	RP20 Self Cleaning Salt Chlorinator - 21 Gm/Hr
SSC 030	RP30 Self Cleaning Salt Chlorinator - 30 Gm/Hr
SSC 120	Replacement Cell - RP20
SSC 130	Replacement Cell - RP30



## SAFETY SUCTIONS

Code	Description
RSC 40X	Suction Cover, Concrete, 40mm
RSC 50X	Suction Cover, Concrete, 50mm
RSF 40X	Suction Cover, Fibreglass, 40mm
RSF 50X	Suction Cover, Fibreglass, 50mm

Replace the letter X above for W= White, G= Grey, B= Black.  
Safety Suction Covers are AS 1926.3-2010 Compliant.



## RETURN EYEBALLS

Code	Description
REC 40X	EyeBall, Concrete, 40mm
REC 50X	EyeBall, Concrete, 50mm
REF 40X	EyeBall, Fibreglass, 40mm
REF 50X	EyeBall, Fibreglass, 50mm

Replace the letter X above for W= White, G= Grey, B= Black.  
Safety Suction Covers are AS 1926.3-2010 Compliant.



## SPA JETS

Code	Description
RSJ 010	Spa Jet - Concrete
RSJ 031	Spa Jet - Fibreglass, Incl EyeBall, Grey
RSJ 032	Spa Jet - Fibreglass, Incl EyeBall, White



## BUBBLER RETURNS

Code	Description
RSJ 020	Bubbler Return, 40mm, Grey
RSJ 021	Bubbler Return, 40mm, White
RSJ 022	Bubbler Return, 40mm, Black



## AIR INJECTORS

Code	Description
RSJ 015	Adjustable Air Injector, Grey
RSJ 016	Adjustable Air Injector, White



## TWISTER

Twister continually rotates the direction of the hose - effectively steering your suction pool cleaner out of awkward corners to ensure a constantly random and thorough cleaning pattern, without getting stuck in corners.

Code	Description
TWI 001	Twister - Power Steering Device



# AQUEA - BUILD A BETTER POOL

AQUEA provides superior products to the pool and landscaping industries. AQUEA develop innovative solutions that deliver superb results and make installation and service easier for industry professionals. The range of award winning products is designed in Australia to suit the Australian market and conditions.

## AQUEA V-LOCK SKIMMER LIDS

Code	Description
AML 201	Aquea V10 V-Lock Lid Kit
AML 203	Aquea V15 V-Lock Lid Kit
AML 205	Aquea V20 V-Lock Lid Kit
AML 207	Aquea V30 V-Lock Lid Kit
AML 414	Aquea V-Lock Lid Key



V-LOCK's unique locking system provides superior safety for pool owners, and simplifies Australian standards compliance for pool builders. The flush-fitting lid is easy to install and blends into the pool surrounds for a flawless finish every time.

## AQUEA BUBBLERS

Code	Description
AMD 250	Aquea Bubbler+ 18 Port Complete Kit - White
AMD 253	Aquea Bubbler+ 18 Port Complete Kit - Grey
AMD 254	Aquea Bubbler+ 18 Port Complete Kit - Black
AMD 403	Aquea Bubbler+ Nozzle (18 pack) - White
AMD 404	Aquea Bubbler+ Nozzle (18 pack) - Grey
AMD 405	Aquea Bubbler+ Nozzle (18 pack) - Black



The modular design gives you the freedom to create the perfect layout for your pool or spa. Use it in seats, foot wells, benches, steps, beach entries, pool windows - the possibilities are endless.

## AQUEA DRAINS

Code	Description
AMD 202	Aquea Main Drain - Complete - White
AMD 216	Aquea Main Drain - Complete - Grey
AMD 208	Aquea Main Drain Retro-Fit Lid Kit - White
AMD 215	Aquea Main Drain Retro-Fit Lid Kit - Grey
AMD 207	Aquea 50mm Hydrostatic Valve - 2" BSP
AMD 433	Aquea Main Drain - Lid Key



The AQUEA Main Drain is the complete and superior solution for your next pool project. Easy to install and service, the flush-fitting lid integrates into the surrounding pool interior for a flawless finish every time. Our retro-fit lid kit is also available separately for pool upgrades and renovations, and suits many popular main drain fittings.

# WORLD CLASS LED POOL LIGHTING



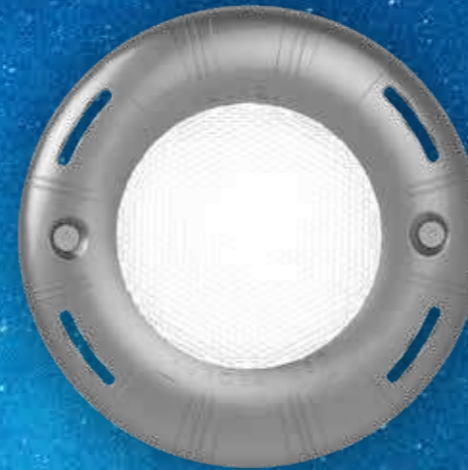
**EvoFG**  
Fibreglass Niche Light



**Evo2**  
Concrete Niche Light



**EvoMAX**  
Concrete Niche Light



**Aurora**  
Concrete Niche Light



**QC Series**  
Surface Mounted Light

When ordering lights that need to operate from a third-party controller please specify the controller type when ordering. Refer to Page 34 for more information.

## WATERPROOF PLUG KIT

Connectivity is the key requirement for easy installation, retro-fitting and servicing. Aqua-Quip's innovative and patented waterproof Plug Kit is user-friendly and clearly the industry's best design.

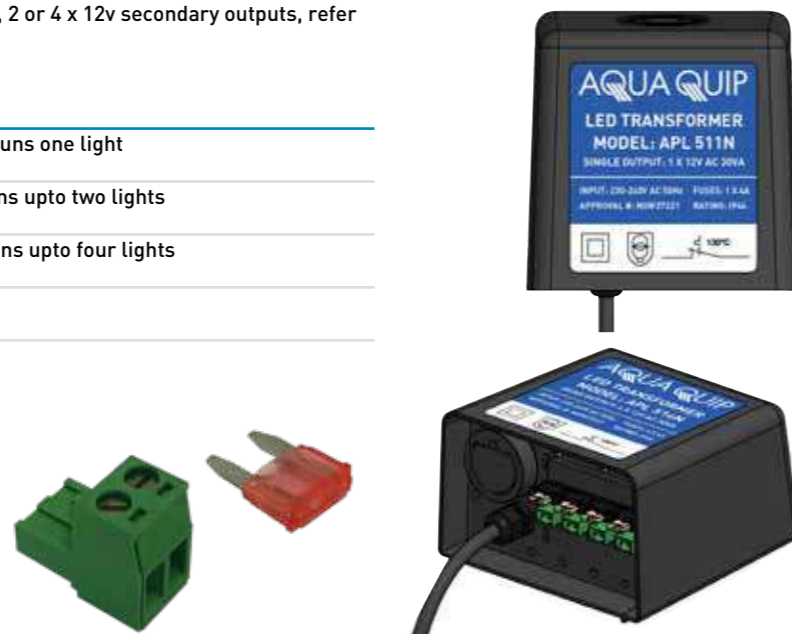
It is supplied factory-fitted to all Aqua-Quip pool light cables and allows the use of existing cables in retro-fit applications.



## TRANSFORMERS

Aqua-Quip's extra low voltage Transformers have either 1, 2 or 4 x 12v secondary outputs, refer to Diagram.

Code	Description
APL 511N	Single Output (1x 12 Volt, 30VA) Plug In – Runs one light
APL 512N	Dual Output (2x 12 Volt, 30VA) Plug In – Runs upto two lights
APL 514N	Quad Output (4x 12 Volt, 30VA) Plug In – Runs upto four lights
APL 530	Connector Plug
APL 532	4 Amp Mini Blade Fuse



## INSTATOUGH SMART LIGHTING CONTROLLER

Provides independent control of pool and spa lighting. Choose from 7 fixed colours and 5 energetic colour shows – or choose your own favourite colour.

- 70m line-of-sight range
- Water resistant handset
- Maximum combined load = 2400watts (10amps)
- Adjustable brightness control
- Instant colour control

Operates Aqua-Quip "InstaTouch Programmed" lights manufactured after Nov, 2018.

Code	Description
INS 100	InstaTouch Smart Lighting Controller inc. Handset
INS 102	InstaTouch Remote Handset Only



## DUAL ZONE REMOTE CONTROLLER

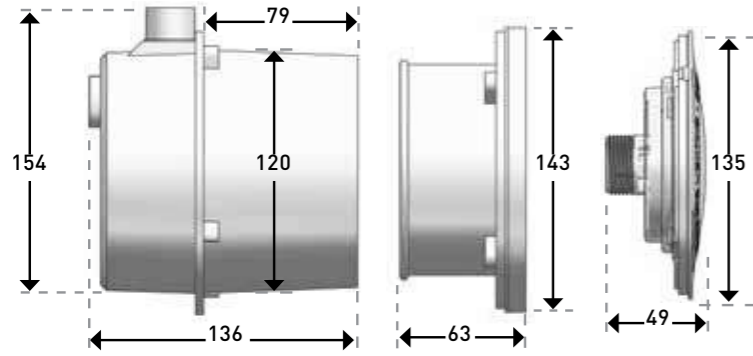
2-Channel remote provides independent control of two zones. Control equipment such as pool lights, garden lights, water features and auxiliary pumps.\*

\*Maximum combined load = 2400watts (10amps).

Code	Description
INS 200	Dual Zone Remote Control System inc. Handset
INS 202	Dual Zone Remote Handset Only



A modern and elegant niche lighting system resulting in the “flushest” pool light available.



**Specifications**

<b>Suitable for</b>	New Concrete Pools, Spas, Water Features, Catch Tanks		
<b>Stainless Steel Option</b>	Yes, P/N: ASS 056		
<b>Fascia Colour Options*</b>	White (standard), Grey, Black		
<b>Cable Lengths</b>	20m, 30m, 40m or 50m (1.5mm <sup>2</sup> )		
<b>Cable Gauge</b>	0.75mm <sup>2</sup> , 2 core		
<b>Detachable Cable</b>	Yes, Plug Kit is factory fitted to supply cable		
<b>Operating Voltage</b>	12v AC	<b>Voltage Tolerance</b>	+20%, -20%
<b>Rating</b>	IPX8	<b>Fault Protection</b>	Thermal cutout. Voltage transient clamping

\*Add a 'G' or 'B' to order code if requiring a grey or black fascia.

	Multi-Colour	Blue	White	Warm White
<b>Power Consumption</b>	20 VA Max	11 VA	11 VA	11 VA
<b>Light Colour</b>	Program Dependant	475 nm	>5000K	3000K
<b>Light Output (typical)</b>	Up to 380 lm	180 lm	550 lm	550 lm

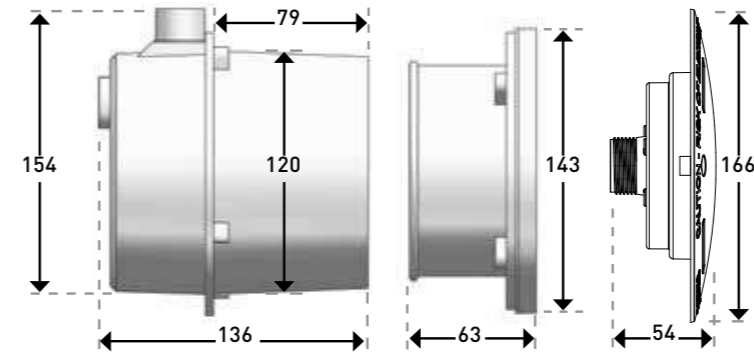
**FIXED COLOUR – WHITE OR BLUE** \*Green or Warm White also available POA.

LIGHT + CABLE With Mounting Hardware (no transformer)			BUILDER'S PACK With Mounting Hardware & Transformer			With 20m Cables	BUILDER'S PACK With Mounting Hardware & Transformer			With 30m Cables
BLUE	WHITE	Length	BLUE	WHITE	Pack		BLUE	WHITE	Pack	
ASN 001	ASN 002	20m	ASN 411	ASN 421	1 Pack		ASN 811	ASN 821	1 Pack	
ASN 031	ASN 032	30m	ASN 412	ASN 422	2 Pack		ASN 812	ASN 822	2 Pack	
ASN 041	ASN 042	40m	ASN 413	ASN 423	3 Pack		ASN 813	ASN 823	3 Pack	
			ASN 414	ASN 424	4 Pack		ASN 814	ASN 824	4 Pack	

**MULTI – COLOUR PRO SERIES RGB+W**

LIGHT + CABLE With Mounting Hardware (no transformer)		BUILDER'S PACK With Mounting Hardware & Transformer		With 20m Cables	BUILDER'S PACK With Mounting Hardware & Transformer		With 30m Cables
Code	Length	Code	Pack		Code	Pack	
ASN 004TX	20m	ASN 431TX	1 Pack		ASN 831TX	1 Pack	
ASN 034TX	30m	ASN 432TX	2 Pack		ASN 832TX	2 Pack	
ASN 044TX	40m	ASN 433TX	3 Pack		ASN 833TX	3 Pack	
		ASN 434TX	4 Pack		ASN 834TX	4 Pack	

Aqua-Quip's premium niche lighting system, providing maximum illumination whilst preserving a flush profile.



**Specifications**

<b>Suitable for</b>	New Concrete Pools, Spas, Water Features, Catch Tanks		
<b>Stainless Steel Option</b>	Yes, P/N: MXA 056		
<b>Cable Lengths</b>	20m, 30m, 40m or 50m (1.5mm <sup>2</sup> )		
<b>Cable Gauge</b>	0.75mm <sup>2</sup> , 2 core		
<b>Detachable Cable</b>	Yes, Plug Kit is factory fitted to supply cable		
<b>Operating Voltage</b>	12v AC	<b>Voltage Tolerance</b>	+20%, -20%
<b>Rating</b>	IPX8	<b>Fault Protection</b>	Thermal cutout. Voltage transient clamping

The unique lens design on EvoMAX provides unrivalled light diffusion and distinctive side lighting effects – eliminating hot spots. The patented and innovative Quick Connect Plug Kit allows the cable to be detached from the pool light, simplifying the installation process.

The all-clear lens ensures the light blends with the pool interior colour.

\*Multi-Colour pool lights are suitable to be controlled from either a wall switch or from the Insta-Touch Smart Lighting Controller. For use with other controllers, see the chart on page 34, and specify when ordering.

	Multi-Colour	Blue	White	Warm White
<b>Power Consumption</b>	30 VA Max	25 VA	25 VA	25 VA
<b>Light Colour</b>	Program Dependant	475 nm	>5000K	3000K
<b>Light Output (typical)</b>	Up to 795 lm	300 lm	985 lm	985 lm

**FIXED COLOUR – WHITE OR BLUE** \*Green or Warm White also available POA.

LIGHT + CABLE With Mounting Hardware (no transformer)			BUILDER'S PACK With Mounting Hardware & Transformer			With 20m Cables	BUILDER'S PACK With Mounting Hardware & Transformer			With 30m Cables
BLUE	WHITE	Length	BLUE	WHITE	Pack		BLUE	WHITE	Pack	
MXA 001	MXA 002	20m	MXA 411	MXA 421	1 Pack		MXA 511	MXA 521	1 Pack	
MXA 031	MXA 032	30m	MXA 412	MXA 422	2 Pack		MXA 512	MXA 522	2 Pack	
MXA 041	MXA 042	40m	MXA 413	MXA 423	3 Pack		MXA 513	MXA 523	3 Pack	
			MXA 414	MXA 424	4 Pack		MXA 514	MXA 524	4 Pack	

**MULTI – COLOUR PRO SERIES RGB+W**

LIGHT + CABLE With Mounting Hardware (no transformer)		BUILDER'S PACK With Mounting Hardware & Transformer		With 20m Cables	BUILDER'S PACK With Mounting Hardware & Transformer		With 30m Cables
Code	Length	Code	Pack		Code	Pack	
MXA 004TX	20m	MXA 431TX	1 Pack		MXA 531TX	1 Pack	
MXA 034TX	30m	MXA 432TX	2 Pack		MXA 532TX	2 Pack	
MXA 044TX	40m	MXA 433TX	3 Pack		MXA 533TX	3 Pack	
		MXA 434TX	4 Pack		MXA 534TX	4 Pack	



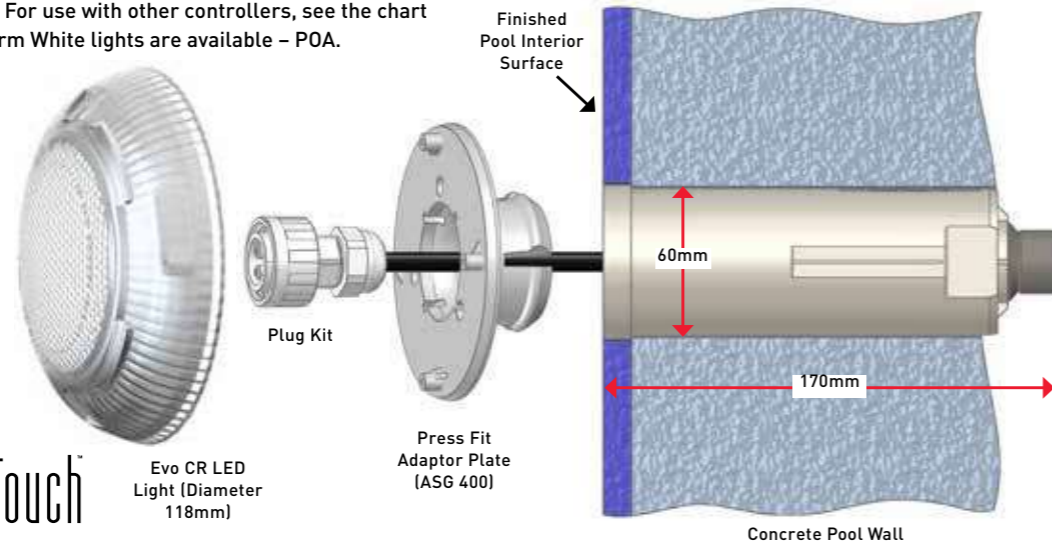
# EVO CR Concrete LED Niche Pool Light

**NEW** PRO SERIES RGB+W

\*Multi-Colour pool lights are suitable to be controlled from either a wall switch or from the Insta-Touch Smart Lighting Controller. For use with other controllers, see the chart on page 34, and specify when ordering. Warm White lights are available – POA.

### CORE DRILLING OPTION

Niche length is 170mm, and has a 20mm rear conduit socket without a cable seal assembly. Light Diameter is 118mm, protrudes 29mm from pool wall. Light specs on Page 13.



MultiColour Lights Dimmable via InstaTouch

Evo CR LED Light (Diameter 118mm)

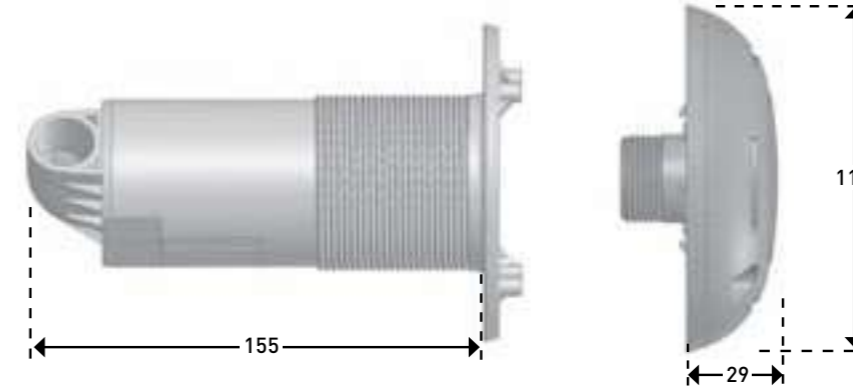
### LIGHT + CABLE With Ø60mm Niche & Mounting Hardware (no transformer)

Code	Description
ASR 001	EvoCR with Ø60mm Niche – Blue – 20m
ASR 002	EvoCR with Ø60mm Niche – White – 20m
ASR 004TX	EvoCR with Ø60mm Niche – Multi-Colour – 20m
ASR 021	EvoCR with Ø60mm Niche – Blue – 30m
ASR 022	EvoCR with Ø60mm Niche – White – 30m
ASR 024TX	EvoCR with Ø60mm Niche – Multi-Colour – 30m

# EVO FG Fibreglass LED Niche Pool Light

**NEW** PRO SERIES RGB+W

Evo FG Flush Mounted Lights – suit all fibreglass and above-ground vinyl pools. Simple to install and fit through a 60mm hole. NEW – reduced niche length, with integrated 90 degree conduit connection, includes accessible internal cable seal.



### Specifications

<b>Suitable for</b>	New Fibreglass and A/G Vinyl Pools
<b>Stainless Steel Option</b>	No
<b>Cable Lengths</b>	20m, 30m
<b>Cable Gauge</b>	0.5mm <sup>2</sup> , 2 core
<b>Detachable Cable</b>	Yes, Plug Kit is factory fitted to supply cable
<b>Operating Voltage</b>	12v AC <b>Voltage Tolerance</b> +20%, -20%
<b>Rating</b>	IPX8 <b>Fault Protection</b> Thermal cutout. Voltage transient clamping

	Multi-Colour	Blue	White	Warm White
<b>Power Consumption</b>	20 VA Max	11 VA	11 VA	11 VA
<b>Light Colour</b>	Program Dependant	475 nm	>5000K	3000K
<b>Light Output (typical)</b>	Up to 380 lm	180 lm	550 lm	550 lm



Low profile, compact niche light with all-clear lens provides unrivalled light diffusion – minimising hot spots.

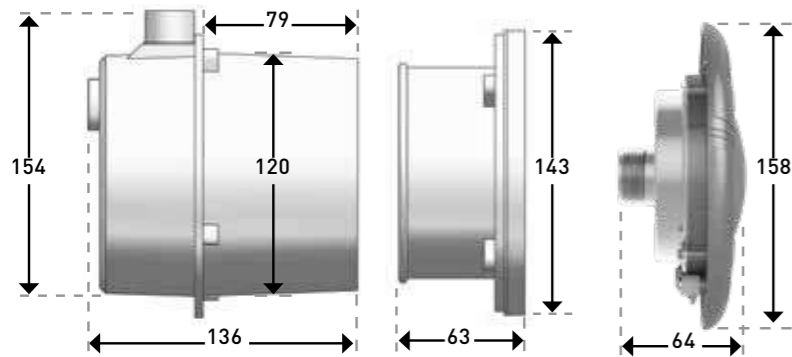
Water-cooled LED light is energy efficient, super bright and connects to patented waterproof Quick Connect Plug Kit. Can be installed below safety ledges in fibreglass pools to ensure maximum illumination without shadowing.

\*Multi-Colour pool lights are suitable to be controlled from either a wall switch or from the Insta-Touch Smart Lighting Controller. For use with other controllers, see the chart on page 34, and specify when ordering.

# AURORA Concrete LED Niche Pool Light

**NEW** PRO SERIES RGB+W

Stylish niche lighting system, producing stunning visual effects to enhance night-time pool and spa ambience.



### NEW POOL CONSTRUCTION

Code	Description
AUR 001	Aurora LED Light, 20m – Blue – Concrete
AUR 002	Aurora LED Light, 20m – White – Concrete
AUR 004TX	Aurora Pro RGB+W Light, 20m, Conc, Instatouch prog.
AUR 031	Aurora LED Light, 30m – Blue – Concrete
AUR 032	Aurora LED Light, 30m – White – Concrete
AUR 034TX	Aurora Pro RGB+W Light, 30m, Conc, Instatouch prog.

MultiColour Lights Dimmable via InstaTouch

### FIXED COLOUR – WHITE OR BLUE \*Green or Warm White also available POA.

MultiColour Lights Dimmable via InstaTouch

LIGHT + CABLE With Mounting Hardware (no transformer)			BUILDER'S PACK With Mounting Hardware & Transformer			With 20m Cables	BUILDER'S PACK With Mounting Hardware & Transformer			With 30m Cables
BLUE	WHITE	Length	BLUE	WHITE	Pack		BLUE	WHITE	Pack	
ASG 9001	ASG 9002	20m	ASG 9031	ASG 9041	1 Pack		ASG 9511	ASG 9521	1 Pack	
ASG 9021	ASG 9022	30m	ASG 9032	ASG 9042	2 Pack		ASG 9512	ASG 9522	2 Pack	
			ASG 9033	ASG 9043	3 Pack		ASG 9513	ASG 9523	3 Pack	
			ASG 9034	ASG 9044	4 Pack		ASG 9514	ASG 9524	4 Pack	

### MULTI – COLOUR PRO SERIES RGB+W

LIGHT + CABLE With Mounting Hardware (no transformer)		BUILDER'S PACK With Mounting Hardware & Transformer		With 20m Cables	BUILDER'S PACK With Mounting Hardware & Transformer		With 30m Cables
Code	Length	Code	Pack		Code	Pack	
ASG 9004TX	20m	ASG 9011TX	1 Pack		ASG 9071TX	1 Pack	
ASG 9024TX	30m	ASG 9012TX	2 Pack		ASG 9072TX	2 Pack	
		ASG 9013TX	3 Pack		ASG 9073TX	3 Pack	
		ASG 9014TX	4 Pack		ASG 9074TX	4 Pack	

# QC RETRO-FIT

Identification Chart

Aqua-Quip QC Retro-Fit Lights replace the following brands of Surface Mounted Lights:



**Stroud C150**  
Diameter 210mm

**Poolrite**  
Diameter 232mm

**Varimode**  
Diameter 211mm



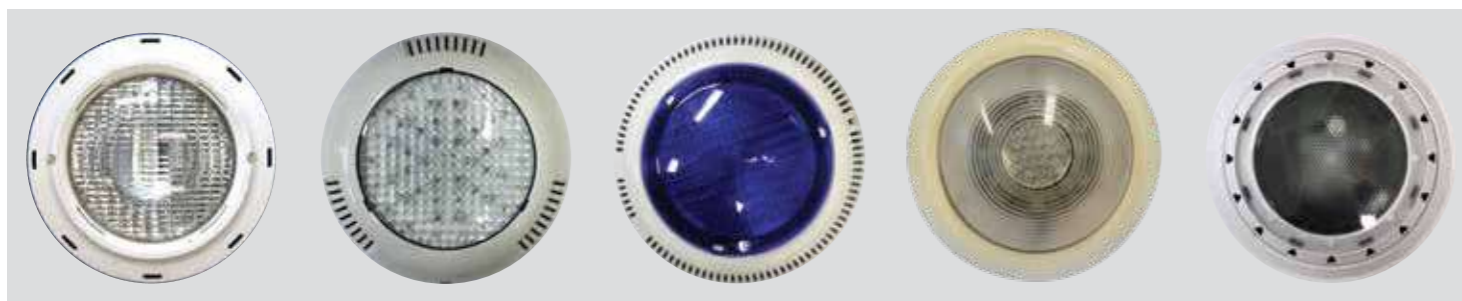
**Waterco**  
Diameter 220mm

**Waterco Britestream MKIV**  
Diameter 220mm

**Waterco Britestream MKV**  
Diameter 240mm

**Swimworld**  
Diameter 250mm

**Stroud SM400**  
Diameter 250mm\*



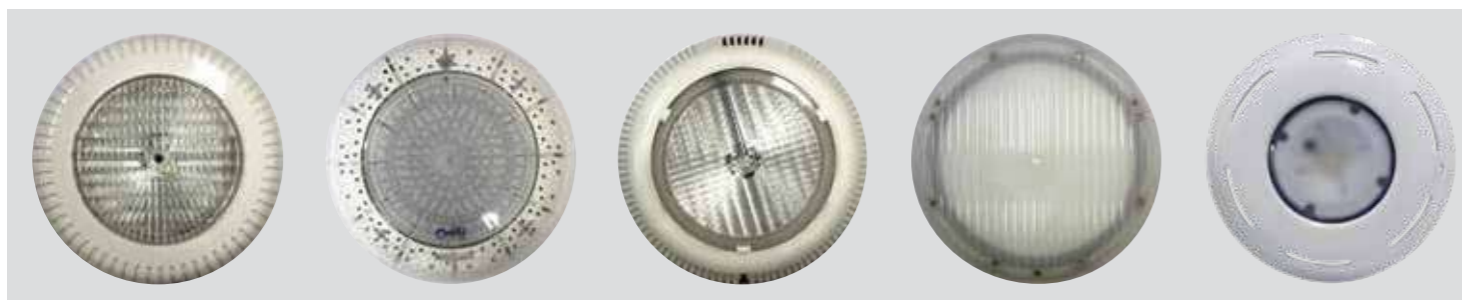
**Filtrite**  
Diameter 250mm\*

**Sunline/Rivendale**  
Diameter 230mm

**Spa Electrics SE3M**  
Diameter 235mm

**PAL RCS**  
Diameter 220mm

**Spa Electrics**  
Diameter 200mm



**Autumn Solar Slim 180**  
Diameter 220mm

**Emaux E-Lumen**  
Diameter 261mm

**Magic Pool Products**  
Diameter 236mm

**Aqua-Quip Halogen**  
Diameter 230mm

**Zodiac Lumipower SM**  
Diameter 196mm

\*When purchasing QC Retro-Fit Lights to replace either Filtrite or Stroud SM400 Retro-Fit Lights, you will need to purchase the additional P/N: APL 075 Locating Bar Assembly. (see image on Page 30 and pricing on Page 31).

Aqua-Quip QC Retro-Fit Lights are suitable for concrete pools only, and cannot be connected to DC power supplies or Electronic Transformers.

Unsure of whether a QC will replace your existing light? Send photos of the front and rear of the light, and the mounting bracket on the pool wall to [aqua@aquaquip.com.au](mailto:aqua@aquaquip.com.au).

# QC SERIES

Concrete Surface-Mounted Pool Light

Aqua-Quip's QC Series Surface Mounted light is the ideal choice for new pools and retro-fitting older style lights.

Stylish art-deco construction with robust mounting hardware makes QC ideal for all surface-mounted applications. Featuring the industry's best Plug Kit, enabling simple installation for both new pool construction and when used to replace other brands. Variable-voltage technology allows operation from voltages ranging from 12V AC - 32V AC.

\*Multi-Colour pool lights are suitable to be controlled from either a wall switch or from the Insta-Touch Smart Lighting Controller. For use with other controllers, see the chart on page 34, and specify when ordering.



### Specifications

<b>Suitable for</b>	New and existing Concrete Pools	
<b>Fascia Colour Options*</b>	White (standard), Metallic Grey	<b>For Retro-Fit QC Lights:</b> No cable supplied. The included Plug Kit is to be connected to the existing cable.
<b>Cable Lengths</b>	20m, 30m	
<b>Cable Gauge</b>	0.75mm <sup>2</sup> , 2 core	
<b>Detachable Cable</b>	Yes, Plug Kit is factory fitted to supply cable	
<b>Operating Voltage</b>	Variable Voltage 12v AC ~ 32V AC. +20%,-20%	
<b>Rating</b>	IPX8	<b>Fault Protection</b> Thermal cutout. Voltage transient clamping

\*Add a 'G' to order code if requiring a grey fascia.

Standard QC SERIES	Multi-Colour	Blue	White	Warm White
<b>Power Consumption</b>	30 VA Max	25 VA	25 VA	25 VA
<b>Light Colour</b>	Program Dependant	475 nm	>5000K	3000K
<b>Light Output (typical)</b>	Up to 590 lm	300 lm	1050 lm	1050 lm

QC QUATTRO SERIES	White	Blue	Aqua	Green
<b>Power Consumption</b>	12 VA	12 VA	20 VA	12 VA
<b>Light Colour</b>	6500K	470 nm	490 nm	530 nm
<b>Light Output (typical)</b>	540 lm	135 lm	530 lm	400 lm

### RETRO-FIT LIGHT + Universal Mounting Bracket & Plug Kit - CONCRETE (no transformer)

Code	Description
LED 011	QC Blue Retro-Fit LED Light
LED 012	QC White Retro-Fit LED Light
LED 014T	QC Multi-Colour Retro-Fit LED Light
LED 014Q	QC Quattro Quad Colour Retro-Fit LED Light <b>NEW!</b>

### LIGHT + CABLE - CONCRETE With Mounting Hardware (no transformer)

Code	Description (with 20m CABLES)
LED 001	QC Blue LED Light - 20m
LED 002	QC White LED Light - 20m
LED 004T	QC Multi-Colour LED Light - 20m
LED 004Q	QC Quattro Quad-Colour LED Light - 20m <b>NEW!</b>

Code	Description (with 30m CABLES)
LED 031	QC Blue LED Light - 30m
LED 032	QC White LED Light - 30m
LED 034T	QC Multi-Colour LED Light - 30m
LED 034Q	QC Quattro Quad-Colour LED Light - 30m <b>NEW!</b>



QC Retro-Fit LED Lights are supplied with the unique waterproof Quick Connect Plug Kit and a universal mounting bracket - allowing replacement of all other brands of surface mounted lights in concrete pools. SEE IDENTIFICATION CHART ON PAGE 14



## QUATTRO QUAD COLOUR

Quattro Quad-Colour option is now available in all QC lighting fixtures. Quattro provides bright and vivid colours of White, Blue, Aqua & Green. Simply switch off/on to move between these colours.

**INSTALLATION USING 50MM PIPE**

**NEW** to the range of Aqua-Quip lights, featuring the same market-leading technology, the EvoLV Compact Pipe Light is the ideal choice for both new pool construction and for renovations.

Available in mid-power models for illuminating intricate areas such as steps, benches, swim-outs and shallow water areas, as well as high-power models for larger pool areas.

\***Multi-Colour pool lights** are suitable to be controlled from either a wall switch or from the Insta-Touch Smart Lighting Controller. For use with other controllers, see the chart on page 34, and specify when ordering. Warm White lights are available – POA.



**50MM PIPE INSTALLATION – SPECIFICATIONS**

<b>Suitable for</b>	Renovations & New Concrete Pools, Spas, Water Features, Catch Tanks
<b>Press Fit Adaptors</b>	White supplied. Grey and Black optional
<b>Minimum Pipe Length</b>	270mm – see page 32 Maximum Pipe Length 310mm – see page 32
<b>Pipe Details</b>	Use 50mm Rigid PVC Pipe, Class 9 or 12
<b>Cable Lengths &amp; Gauge</b>	20m, 30m. Gauge = 0.5mm <sup>2</sup>
<b>Detachable Cable</b>	Yes, Plug Kit is factory fitted to supply cable and is field re-wirable
<b>Operating Voltage</b>	12v AC <b>Voltage Tolerance</b> +20%, -20%
<b>Rating</b>	IPX8 <b>Fault Protection</b> Thermal cutout. Voltage transient clamping



	Multi-Colour RGB+W		Blue		White		Warm White	
	Mid-Power	Hi-Power	Mid-Power	Hi-Power	Mid-Power	Hi-Power	Mid-Power	Hi-Power
<b>Power Consumption</b>	6 VA	12 VA	6 VA	12 VA	6 VA	12 VA	6 VA	12 VA
<b>Light Colour</b>	Program Dependant		470 nm		6500 k		2850 k	
<b>Light Output (typical)</b>	Up to 245 lm	Up to 470 lm	75 lm	135 lm	340 lm	650 lm	340 lm	650 lm

**RENOVATION USING 50mm PVC PIPE** Supplied with Light, Cable, Press-Fit Adaptor and End Cap (no transformer)



Code	Description
EPL 101M	EvoLV Blue 20m LED Light & Pipe Kit
EPL 102M	EvoLV White 20m LED Light & Pipe Kit
EPL 104H	EvoLV Pro RGB+W, 20m LED Light & Pipe Kit
EPL 131M	EvoLV Blue 30m LED Light & Pipe Kit
EPL 132M	EvoLV White 30m LED Light & Pipe Kit
EPL 134H	EvoLV Pro RGB+W, 30m LED Light & Pipe Kit

**Press Fit Adaptors available in White, Grey and Black – specify when ordering.**

Code	Description
EPL 434	Spanner for Cable Seal

**INSTALLATION USING WET NICHE**

**NEW** to the range of Aqua-Quip lights, featuring the same market-leading technology, the EvoLV Compact Pipe Light is the ideal choice for both new pool construction and for renovations.

Available in mid-power models for illuminating intricate areas such as steps, benches, swim-outs and shallow water areas, as well as high-power models for larger pool areas.

\***Multi-Colour pool lights** are suitable to be controlled from either a wall switch or from the Insta-Touch Smart Lighting Controller. For use with other controllers, see the chart on page 34, and specify when ordering. Warm White lights are available – POA.



**WET NICHE INSTALLATION – SPECIFICATIONS**

<b>Suitable for</b>	New Concrete Pools, Spas, Water Features, Catch Tanks
<b>Fascia Colour Options</b>	White and Clear supplied. Grey and Black optional
<b>Cable Lengths &amp; Gauge</b>	20m, 30m. Gauge = 0.5mm <sup>2</sup>
<b>Niche Details</b>	Diameter: 75mm Length: 250mm, reduceable to 210mm
<b>Cable Lengths &amp; Gauge</b>	20m, 30m. Gauge = 0.5mm <sup>2</sup>
<b>Detachable Cable</b>	Yes, Plug Kit is factory fitted to supply cable and is field re-wirable
<b>Operating Voltage</b>	12v AC <b>Voltage Tolerance</b> +20%, -20%
<b>Rating</b>	IPX8 <b>Fault Protection</b> Thermal cutout. Voltage transient clamping



	Multi-Colour RGB+W		Blue		White		Warm White	
	Mid-Power	Hi-Power	Mid-Power	Hi-Power	Mid-Power	Hi-Power	Mid-Power	Hi-Power
<b>Power Consumption</b>	6 VA	12 VA	6 VA	12 VA	6 VA	12 VA	6 VA	12 VA
<b>Light Colour</b>	Program Dependant		470 nm		6500 k		2850 k	
<b>Light Output (typical)</b>	Up to 245 lm	Up to 470 lm	75 lm	135 lm	340 lm	650 lm	340 lm	650 lm

**NEW POOL CONSTRUCTION** Supplied with Light, Niche, Cable and Render Ring (no transformer)



Code	Description
EPL 001M	EvoLV Blue 20m LED Light & Niche Kit
EPL 002M	EvoLV White 20m LED Light & Niche Kit
EPL 004H	EvoLV PRO RGB+W, 20m LED Light & Niche Kit
EPL 031M	EvoLV Blue 30m LED Light & Niche Kit
EPL 032M	EvoLV White 30m LED Light & Niche Kit
EPL 034H	EvoLV PRO RGB+W, 30m LED Light & Niche Kit

**Render Rings available in White, Grey and Black – specify when ordering.**

# RETRO-FIT

Each Retro-Fit light is supplied with a Plug Kit for connection using existing cables, and with mounting hardware where appropriate. If the new Aqua-Quip retro-fit light is to be operated from an existing pool lighting controller, specify the controller type when ordering (refer to page 34). When re-using an existing transformer, ensure it has 12Vac output and at least 25VA power rating.

# RETRO-FIT

Each Retro-Fit light is supplied with a Plug Kit for connection using existing cables, and with mounting hardware where appropriate. If the new Aqua-Quip retro-fit light is to be operated from an existing pool lighting controller, specify the controller type when ordering (refer to page 34). When re-using an existing transformer, ensure it has 12Vac output and at least 25VA power rating.

## PAL EVENGLOW CONCRETE RETRO

## REPLACE WITH EVO MAX

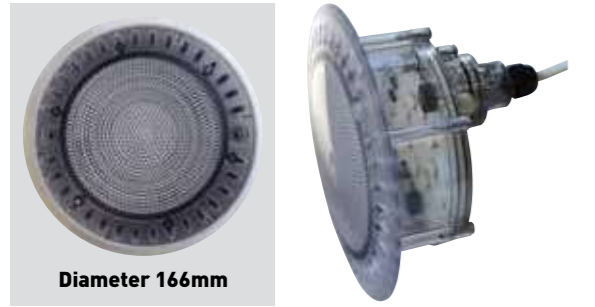


Code	Description
ASR 461	BLUE LED – PAL Evenglow Retro – Concrete
ASR 462	WHITE LED – PAL Evenglow Retro – Concrete
ASR 464TX	PRO RGB+W LED – PAL Evenglow Retro – Concrete
ASR 464T	MULTI RGB LED – PAL Evenglow Retro – Concrete

**Note:** Requires transformer/controller box replacement with a 12v AC transformer.

## WATERCO BRITESTREAM CONCRETE RETRO

## REPLACE WITH EVO MAX



Code	Description
ASR 421	BLUE LED – Waterco/Britestream Retro – Concrete
ASR 422	WHITE LED – Waterco/Britestream Retro – Concrete
ASR 424TX	PRO RGB+W LED – Waterco/Britestream Retro – Conc.
ASR 424T	MULTI RGB LED – Waterco/Britestream Retro – Conc.

## ASTRAL SLX, DELTA, ARC & ZODIAC LUMIPOWER RETRO

## REPLACE WITH EVO MAX

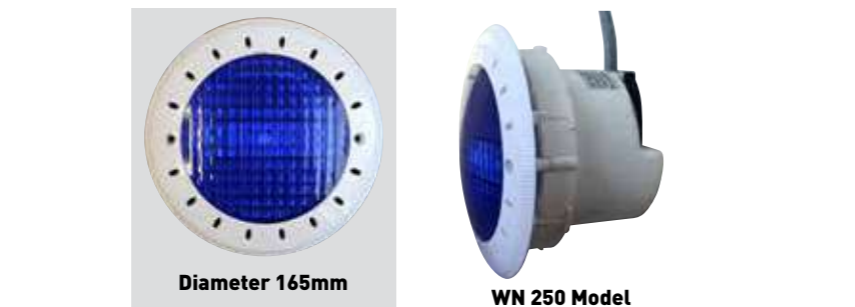


Code	Description
ASR 441	BLUE LED – Astral SLX, Delta, ARC, Lumipower – Concrete
ASR 442	WHITE LED – Astral SLX, Delta, ARC, Lumipower – Concrete
ASR 444TX	PRO RGB+W LED – Astral SLX, Delta, ARC, Lumipower – Concrete
ASR 444T	MULTI RGB LED – Astral SLX, Delta, ARC, Lumipower – Concrete

**Note:** Delta & ARC: requires transformer/controller box replacement with a 12v AC transformer.

## SPA ELECTRICS WN (QUANTUM) SERIES – CONCRETE & FIBREGLASS RETRO

## REPLACE WITH EVO MAX



Code	Description
ASR 411	BLUE LED – Spa Electrics WN (QUANTUM) Retro (Concrete and Fibreglass)
ASR 412	WHITE LED – Spa Electrics WN (QUANTUM) Retro (Concrete and Fibreglass)
ASR 414TX	PRO RGB+W LED – SPA ELECTRICS WN (QUANTUM) Retro (Concrete and Fibreglass)
ASR 414T	MULTI RGB LED – Spa Electrics WN (QUANTUM) Retro (Concrete and Fibreglass)

## SPA ELECTRICS WN150 – CONCRETE RETRO

## REPLACE WITH EVO MAX



Code	Description
ASR 451	BLUE LED – Spa Electrics WN150 Retro – Concrete
ASR 452	WHITE LED – Spa Electrics WN150 Retro – Concrete
ASR 454TX	PRO RGB+W LED – Spa Electrics WN150 Concrete Retro
ASR 454T	MULTI RGB LED – Spa Electrics WN150 Retro – Concrete

## AQUA-STAR HALOGEN – CONCRETE RETRO

## REPLACE WITH EVO MAX OR EVO2



Code	Description
ASR 431	BLUE LED – Aqua-Star Retro Concrete – using EvoMAX
ASR 432	WHITE LED – Aqua-Star Retro Concrete – using EvoMAX
ASR 434TX	PRO RGB+W LED – Aqua-Star Retro Concrete – using EvoMAX
ASR 434T	MULTI RGB LED – Aqua-Star Retro Concrete – using EvoMAX

Code	Description
ASN 101	BLUE LED – Aqua-Star Retro Concrete – using Evo2
ASN 102	WHITE LED – Aqua-Star Retro Concrete – using Evo2
ASN 104TX	PRO RGB+W LED – Aqua-Star Retro Concrete – using Evo2
ASN 104T	MULTI RGB LED – Aqua-Star Retro Concrete – using Evo2

## LUMASCAPE – CONCRETE RETRO – TWO SCREW MOUNT

## REPLACE WITH EVO2

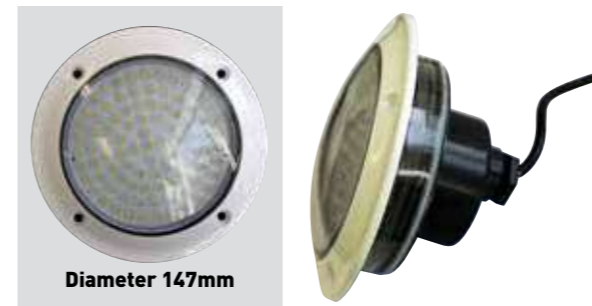


Code	Description
ASN 501	BLUE LED – Lumascape Retro Concrete (2 Screw Mount)
ASN 502	WHITE LED – Lumascape Retro Concrete (2 Screw Mount)
ASN 504TX	PRO RGB+W LED – Lumascape Retro Concrete (2 Screw Mount)
ASN 504T	MULTI RGB LED – Lumascape Retro Concrete (2 Screw Mount)

**Note:** This retro suits Lumascape lights that are mounted using two screws, and utilises the existing stainless steel cover. If the existing Lumascape light is mounted using one screw, then refer to Page 20 for alternate codes.

## POOLSTORE – CONCRETE RETRO

## REPLACE WITH EVO2



Code	Description
ASN 511	BLUE LED – Poolstore Retro Concrete
ASN 512	WHITE LED – Poolstore Retro Concrete
ASN 514TX	PRO RGB+W LED – Poolstore Retro Concrete
ASN 514T	MULTI RGB LED – Poolstore Retro Concrete

## AQUA-STAR HALOGEN – FIBREGLASS RETRO

## REPLACE WITH EVO2



Code	Description
ASN 221	BLUE LED – Aqua-Star Retro – Fibreglass
ASN 222	WHITE LED – Aqua-Star Retro – Fibreglass
ASN 224TX	PRO RGB+W LED – Aqua-Star Retro – Fibreglass
ASN 224T	MULTI RGB – Aqua-Star Retro – Fibreglass

# RETRO-FIT

Each Retro-Fit light is supplied with a Plug Kit for connection using existing cables, and with mounting hardware where appropriate. If the new Aqua-Quip retro-fit light is to be operated from an existing pool lighting controller, specify the controller type when ordering (refer to page 34). When re-using an existing transformer, ensure it has 12Vac output and at least 25VA power rating.

# RETRO-FIT

Each Retro-Fit light is supplied with a Plug Kit for connection using existing cables, and with mounting hardware where appropriate. If the new Aqua-Quip retro-fit light is to be operated from an existing pool lighting controller, specify the controller type when ordering (refer to page 34). When re-using an existing transformer, ensure it has 12Vac output and at least 25VA power rating.

## ASTRAL FLX – FIBREGLASS RETRO

### REPLACE WITH EVO FG



Code	Description
ASR 281	BLUE LED – Astral FLX Fibreglass Retro
ASR 282	WHITE LED – Astral FLX Fibreglass Retro
ASR 284TX	PRO RGB+W LED – Astral FLX Fibreglass Retro
ASR 284T	MULTI RGB LED – Astral FLX Fibreglass Retro

Diameter 129mm

## LUMASCAPE – CONCRETE – ONE SCREW MOUNT

### REPLACE WITH EVO FG



Code	Description
ASR 136	BLUE LED – Lumascap Retro Concrete (1 Screw Mount)
ASR 137	WHITE LED – Lumascap Retro Concrete (1 Screw Mount)
ASR 139X	PRO RGB+W LED – Lumascap Retro Concrete (1 Screw Mount)
ASR 139	MULTI RGB – Lumascap Retro Concrete (1 Screw Mount)

Diameter 133mm

**Note:** This retro suits Lumascap lights that are mounted using one screw only. If the existing Lumascap light is mounted using two screws, then refer to Page 19 for alternative codes.

## PAL 2000 & PAL COLOUR TOUCH – CONCRETE AND FIBREGLASS RETRO

### REPLACE WITH EVO FG



Code	Description – for Concrete
ASR 111	BLUE LED – PAL Retro – Concrete
ASR 112	WHITE LED – PAL Retro – Concrete
ASR 114TX	PRO RGB+W LED – PAL Retro – Concrete
ASR 114T	MULTI RGB LED – PAL Retro – Concrete

Code	Description – for Fibreglass
ASR 121	BLUE LED – PAL Retro – Fibreglass
ASR 122	WHITE LED – PAL Retro – Fibreglass
ASR 124TX	PRO RGB+W LED – PAL Retro – Fibreglass
ASR 124T	MULTI RGB LED – PAL Retro – Fibreglass

Diameter 81mm

**Note:** Colour Touch requires transformer/controller box replacement with a 12v AC transformer.

## PAL EVENGLOW – FIBREGLASS RETRO

### REPLACE WITH EVO FG



Code	Description
ASR 321	BLUE LED – PAL Evenglow Retro – Fibreglass
ASR 322	WHITE LED – PAL Evenglow Retro – Fibreglass
ASR 324TX	PRO RGB+W LED – PAL Evenglow Retro – Fibreglass
ASR 324T	MULTI RGB LED – PAL Evenglow Retro – Fibreglass

Diameter 137mm

**Note:** Colour Touch requires transformer/controller box replacement with a 12v AC transformer.

## SPA ELECTRICS EM (ATOM) SERIES – CONCRETE AND FIBREGLASS RETRO

### REPLACE WITH EVO FG



Code	Description – for Concrete
ASR 131	BLUE LED – Spa Electrics EM Retro – Concrete
ASR 132	WHITE LED – Spa Electrics EM Retro – Concrete
ASR 134TX	PRO RGB+W LED – Spa Electrics EM Retro – Concrete
ASR 134T	MULTI RGB LED – Spa Electrics EM Retro – Concrete

Code	Description – for Fibreglass
ASR 141	BLUE LED – Spa Electrics EM Retro – Fibreglass
ASR 142	WHITE LED – Spa Electrics EM Retro – Fibreglass
ASR 144TX	PRO RGB+W LED – Spa Electrics EM Retro – Fibreglass
ASR 144T	MULTI RGB LED – Spa Electrics EM Retro – Fibreglass

Diameter 120mm

## WATERCO SLIM 90 – FIBREGLASS

### REPLACE WITH EVO FG



Code	Description
ASR 161	BLUE LED – Waterco/SLIM90 Retro – Fibreglass
ASR 162	WHITE LED – Waterco/SLIM90 Retro – Fibreglass
ASR 164TX	PRO RGB+W LED – Waterco/SLIM90 Retro – Fibreglass
ASR 164T	MULTI RGB LED – Waterco/SLIM90 Retro – Fibreglass

Diameter 97mm

## WATERCO SLIM 165 – FIBREGLASS

### REPLACE WITH EVO FG



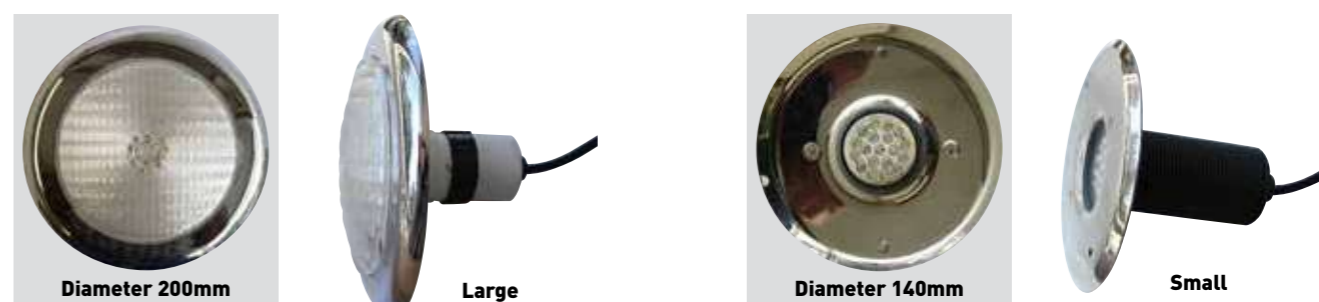
Code	Description
ASR 291	BLUE LED – Waterco/SLIM165 Retro – Fibreglass
ASR 292	WHITE LED – Waterco/SLIM165 Retro – Fibreglass
ASR 294TX	PRO RGB+W LED – Waterco/SLIM165 Retro – Fibreglass
ASR 294T	MULTI RGB LED – Waterco/SLIM165 Retro – Fibreglass

Diameter 165mm

**Note:** EvoFG light does not fully cover the existing flange in pool wall.

## AUTUMN SOLAR – CONCRETE

### REPLACE WITH EVO FG



Diameter 200mm

Large

Diameter 140mm

Small

Code	Description
ASR 171	BLUE LED – Autumn Solar (Large & Small) Retro – Concrete
ASR 172	WHITE LED – Autumn Solar (Large & Small) Retro – Concrete
ASR 174TX	PRO RGB+W LED – Autumn Solar (Large & Small) Retro – Concrete
ASR 174T	MULTI RGB LED – Autumn Solar (Large & Small) Retro – Concrete

**Note:** If controlled from an Autumn Solar Lighting Controller, replace with a 12v AC transformer.

## AQUA DE-LIGHT – CONCRETE OR FIBREGLASS

### REPLACE WITH EVO FG



Diameter 120mm

Code	Description
ASR 151	BLUE LED – Aqua De-Light Retro – Concrete/Fibreglass
ASR 152	WHITE LED – Aqua De-Light Retro – Concrete/Fibreglass
ASR 154TX	PRO RGB+W LED – Aqua De-Light Retro – Concrete/Fibreglass
ASR 154T	MULTI RGB LED – Aqua De-Light Retro – Concrete/Fibreglass

**Note:** For concrete pools, the existing gimbal must be removed prior to installation. Contact Aqua-Quip for more information.

# RETRO-FIT

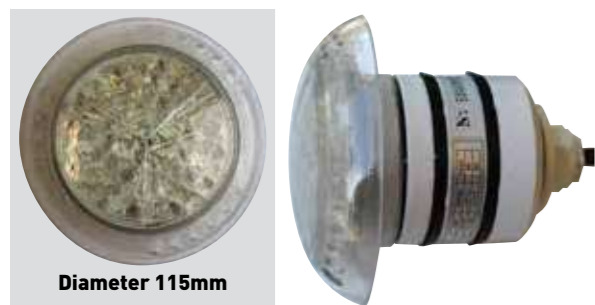
Each Retro-Fit light is supplied with a Plug Kit for connection using existing cables, and with mounting hardware where appropriate. If the new Aqua-Quip retro-fit light is to be operated from an existing pool lighting controller, specify the controller type when ordering (refer to page 34). When re-using an existing transformer, ensure it has 12Vac output and at least 25VA power rating.

# RETRO-FIT

Each Retro-Fit light is supplied with a Plug Kit for connection using existing cables, and with mounting hardware where appropriate. If the new Aqua-Quip retro-fit light is to be operated from an existing pool lighting controller, specify the controller type when ordering (refer to page 34). When re-using an existing transformer, ensure it has 12Vac output and at least 25VA power rating.

## VARI MODE - CONCRETE OR FIBREGLASS

## REPLACE WITH EVO FG

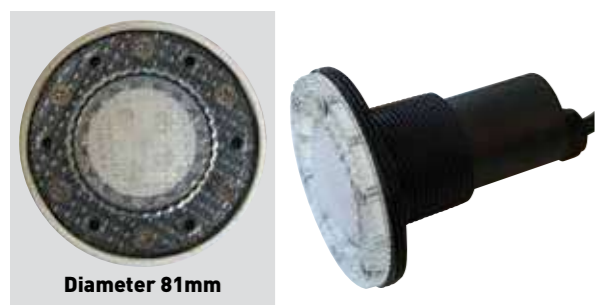


Code	Description
ASR 181	BLUE LED - Varimode Retro - Concrete/Fibreglass
ASR 182	WHITE LED - Varimode Retro - Concrete/Fibreglass
ASR 184TX	PRO RGB+W LED - Varimode Retro - Concrete/F/glass
ASR 184T	MULTI RGB LED - Varimode Retro - Concrete/Fibreglass

Diameter 115mm

## ASTRAL CALIDORAY - CONCRETE OR FIBREGLASS

## REPLACE WITH EVO FG



Code	Description - for Concrete
ASR 191	BLUE LED - Astral CalidoRay Retro - Concrete
ASR 192	WHITE LED - Astral CalidoRay Retro - Concrete
ASR 194TX	PRO RGB+W LED - Astral CalidoRay Retro - Concrete
ASR 194T	MULTI RGB LED - Astral CalidoRay Retro - Concrete

Code	Description - for Fibreglass
ASR 201	BLUE LED - Astral CalidoRay Retro - Fibreglass
ASR 202	WHITE LED - Astral CalidoRay Retro - Fibreglass
ASR 204TX	PRO RGB+W LED - Astral CalidoRay Retro - Fibreglass
ASR 204T	MULTI RGB LED - Astral CalidoRay Retro - Fibreglass

Diameter 81mm

## ASTRAL MINI DICHRO - CONCRETE

## REPLACE WITH EVO FG



Code	Description
ASR 211	BLUE LED - Astral Mini-Dichro Retro - Concrete
ASR 212	WHITE LED - Astral Mini-Dichro Retro - Concrete
ASR 214TX	PRO RGB+W LED - Astral Mini-Dichro Retro - Concrete
ASR 214T	MULTI RGB LED - Astral Mini-Dichro Retro - Concrete

Diameter 96mm

## HUNZA - CONCRETE

## REPLACE WITH EVO FG



Code	Description
ASR 221	BLUE LED - Hunza Retro - Concrete
ASR 222	WHITE LED - Hunza Retro - Concrete
ASR 224TX	PRO RGB+W LED - Hunza Retro - Concrete
ASR 224T	MULTI RGB LED - Hunza Retro - Concrete

Diameter 125mm

## H&F LIGHTING - CONCRETE

## REPLACE WITH EVO FG



Code	Description
ASR 261	BLUE LED - H&F Lighting Retro - Concrete
ASR 262	WHITE LED - H&F Lighting Retro - Concrete
ASR 264TX	PRO RGB+W LED - H&F Lighting Retro - Concrete
ASR 264T	MULTI RGB LED - H&F Lighting Retro - Concrete

Diameter 90mm

## SUNLINE/RIVENDALE - CONCRETE OR FIBREGLASS

## REPLACE WITH EVO FG



Code	Description
ASR 231	BLUE LED - Sunline Retro - Concrete or Fibreglass
ASR 232	WHITE LED - Sunline Retro - Concrete or Fibreglass
ASR 234TX	PRO RGB+W LED - Sunline Retro - Concrete or Fibreglass
ASR 234T	MULTI RGB LED - Sunline Retro - Concrete or Fibreglass

Diameter 209mm

Large

Diameter 160mm

Small

## DIGILIN - CONCRETE

## REPLACE WITH EVO FG



Code	Description
ASR 301	BLUE LED - Digilin Retro - Concrete
ASR 302	WHITE LED - Digilin Retro - Concrete
ASR 304TX	PRO RGB+W LED - Digilin Retro - Concrete
ASR 304T	MULTI RGB LED - Digilin Retro - Concrete

Diameter 37mm

## NORIA GLO - CONCRETE

## REPLACE WITH EVO FG



Code	Description
ASR 311	BLUE LED - Noria Glo Retro - Concrete
ASR 312	WHITE LED - Noria Glo Retro - Concrete
ASR 314TX	PRO RGB+W LED - Noria Glo Retro - Concrete
ASR 314T	MULTI RGB LED - Noria Glo Retro - Concrete

Diameter 170mm

## ZODIAC SAVI - CONCRETE

## REPLACE WITH EVO FG



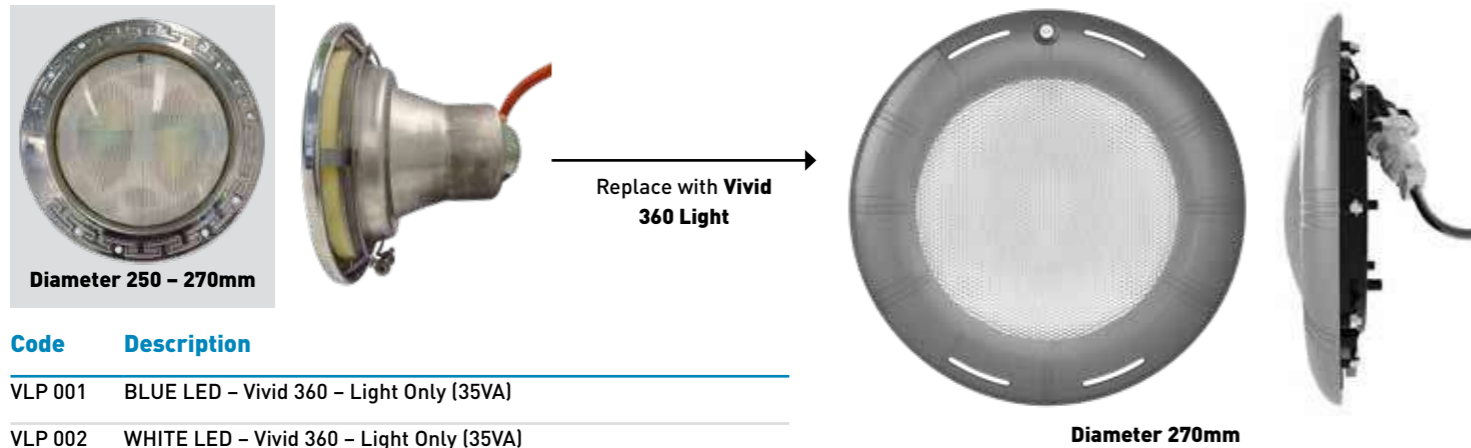
Code	Description
ASR 271	BLUE LED - Zodiac Savi Retro - Concrete
ASR 272	WHITE LED - Zodiac Savi Retro - Concrete
ASR 274TX	PRO RGB+W LED - Zodiac Savi Retro - Concrete
ASR 274T	MULTI RGB LED - Zodiac Savi Retro - Concrete

Diameter 51mm

# RETRO-FIT for Extra Large Niche

## USA LARGE NICHE LIGHTS (PUREX ETC) - CONCRETE

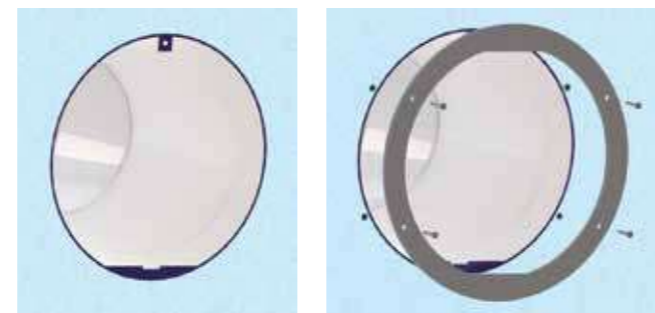
## REPLACE WITH VIVID 360



Code	Description
VLP 001	BLUE LED - Vivid 360 - Light Only (35VA)
VLP 002	WHITE LED - Vivid 360 - Light Only (35VA)
VLP 004T	MULTI-COLOUR LED - Vivid 360 - Light Only (35VA)
VLP 375	Vivid 360 Plug Kit (suits cable diameter up to 11.8mm)
VLP 010	15 metre Cable - 2mm <sup>2</sup> - inc Plug Kit
VLP 011	30 metre Cable - 2mm <sup>2</sup> - inc Plug Kit
VLP 070	Vivid 360 Retro-Fit Mounting Ring - A
VLP 072	Vivid 360 Retro-Fit Mounting Ring - B
APL 301	12v 100VA Transformer

**Note:** If existing Niche face ring & screw hole is damaged, then use the appropriate sized Mounting Ring.

**CAUTION** As the original niche light may have been supplied from mains voltage (240 volts), use an electrician to make the lighting system safe before attempting installation. Vivid 360 Pool Light operates from a 12v AC transformer, minimum 50VA.

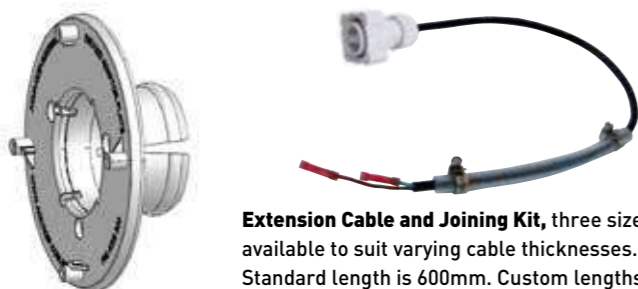


If the pilot screw hole and mounting tab on the existing Niche are in good condition, then the Vivid 360 Pool Light will mount into position. Otherwise, use the appropriate sized Mounting Ring.  
**Mounting Ring A** suits Niche diameters 225mm - 230mm.  
**Mounting Ring B** suits Niche diameters 230mm - 280mm.

# SPARE PARTS for RETRO-FIT

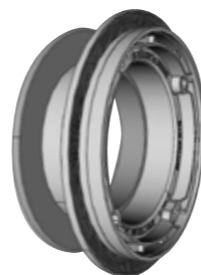
Code	Description
ASG 300	Retro-Fit Eyeball Adaptor Plate (48mm - 52mm)
ASG 400	Retro-Fit Eyeball Adaptor Plate (51mm - 55mm)
ASN 110	Evo Series Extension Cable & Joining Kit 1mm <sup>2</sup>
ASN 115	Evo Series Extension Cable & Joining Kit 1.5mm <sup>2</sup>
ASN 118	Evo Series Extension Cable & Joining Kit 4mm <sup>2</sup>
ASN 375	Plug Kit for Evo2/EvoMax Lights
ASR 375	Plug Kit for EvoFG/EvoCR/EvoLV Lights
ASL077	6" Niche Adaptor - Suits Spa Electrics and Waterco Niche
ASL077A	6" Niche Adaptor - Suits Astral / Zodiac Niche
ASL077P	6" Niche Adaptor - Suits PAL Evenglow Niche

**Eyeball Adaptor Plate**, slip fits into pipes, allowing fitment of EvoFG LED Light.  
**ASG 300** Fits Pipe I.D 48mm-52mm  
**ASG 400** Fits Pipe I.D 52mm-55mm



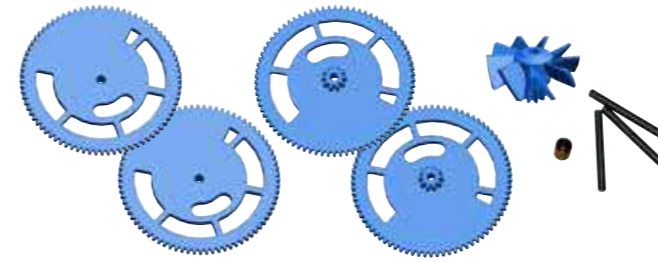
**Extension Cable and Joining Kit**, three sizes available to suit varying cable thicknesses. Standard length is 600mm. Custom lengths available.

**6" Niche Adaptor**, slip fits into various Niches (whilst pool is at concrete stage) - allowing fitment of EvoMAX LED Light. Cable seals can be factory fitted to Aqua-Quip cables when ordering.



# SPARE PARTS for JET-VAC Pool Cleaner

## JET-VAC TUNE UP KIT

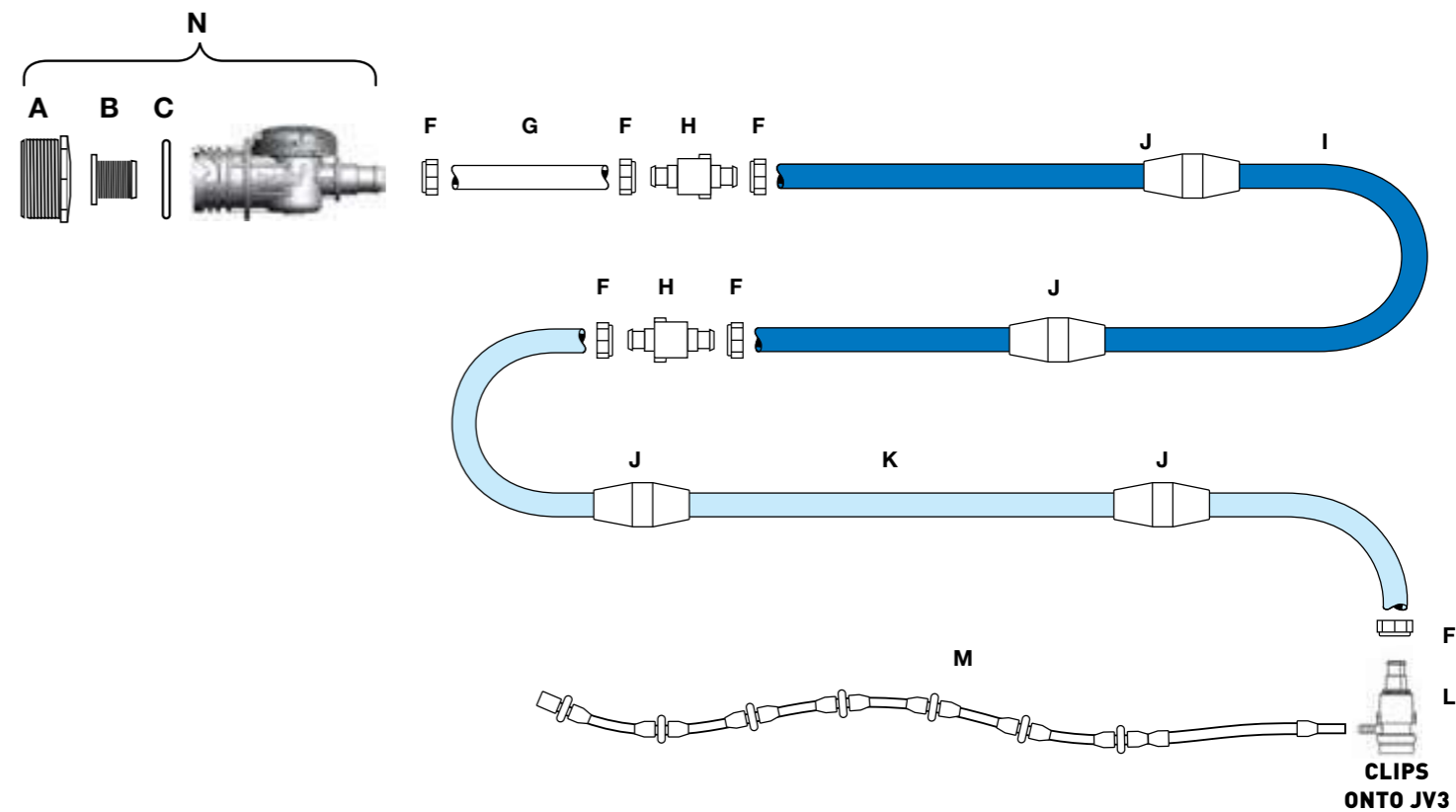


Code	Part #	Description
LJV 049	JV204	Tune Up Kit: 4x JV7 Gears, 3x JV6 Stainless Pins 1x JV8 Propellor 1x JV9 Spacer

## JET-VAC WHEEL KIT



Code	Part #	Description
LJV 050	JV207	Wheel Kit: 1x JV21 Wheel, 2x LG35B Bearings 1x JV22 Wheel Hub



Item Code	Part #	Description
A	LJV 068 JV23	Quick Disconnect Adaptor
B	LJV 065 JV24	Strainer Screen
C	LJV 069 JV20	O-Ring
F	LJV 045 JVD15P	Mender Nut
G	LLP 058 JV501	Starter Hose - White (0.6m)
H	LJV 046 JVD5	Swivel

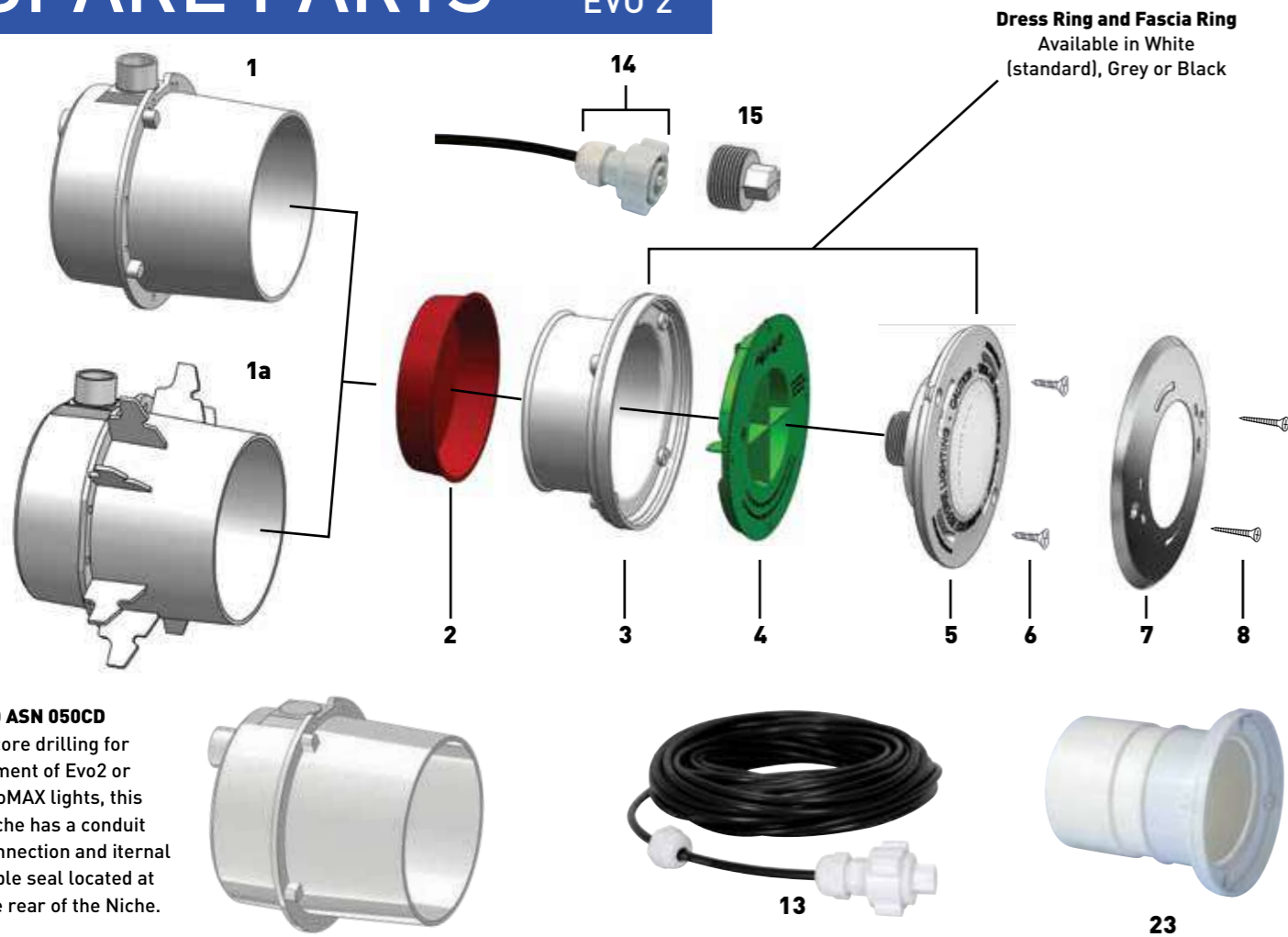
Item Code	Part #	Description
I	LJV 029 JV502	Feed Hose - Dark Blue (4.2m)
J	LJV 036 JV57	Float
K	LJV 030 JV503	Feed Hose - Light Blue (4.9m)
L	LJV 028 JV50	Disconnect Swivel
M	LJV 031 JV52	Sweep Hose Complete
N	LJV 090 JW100	Universal Wall Fitting Complete





# SPARE PARTS

for  
EVO 2

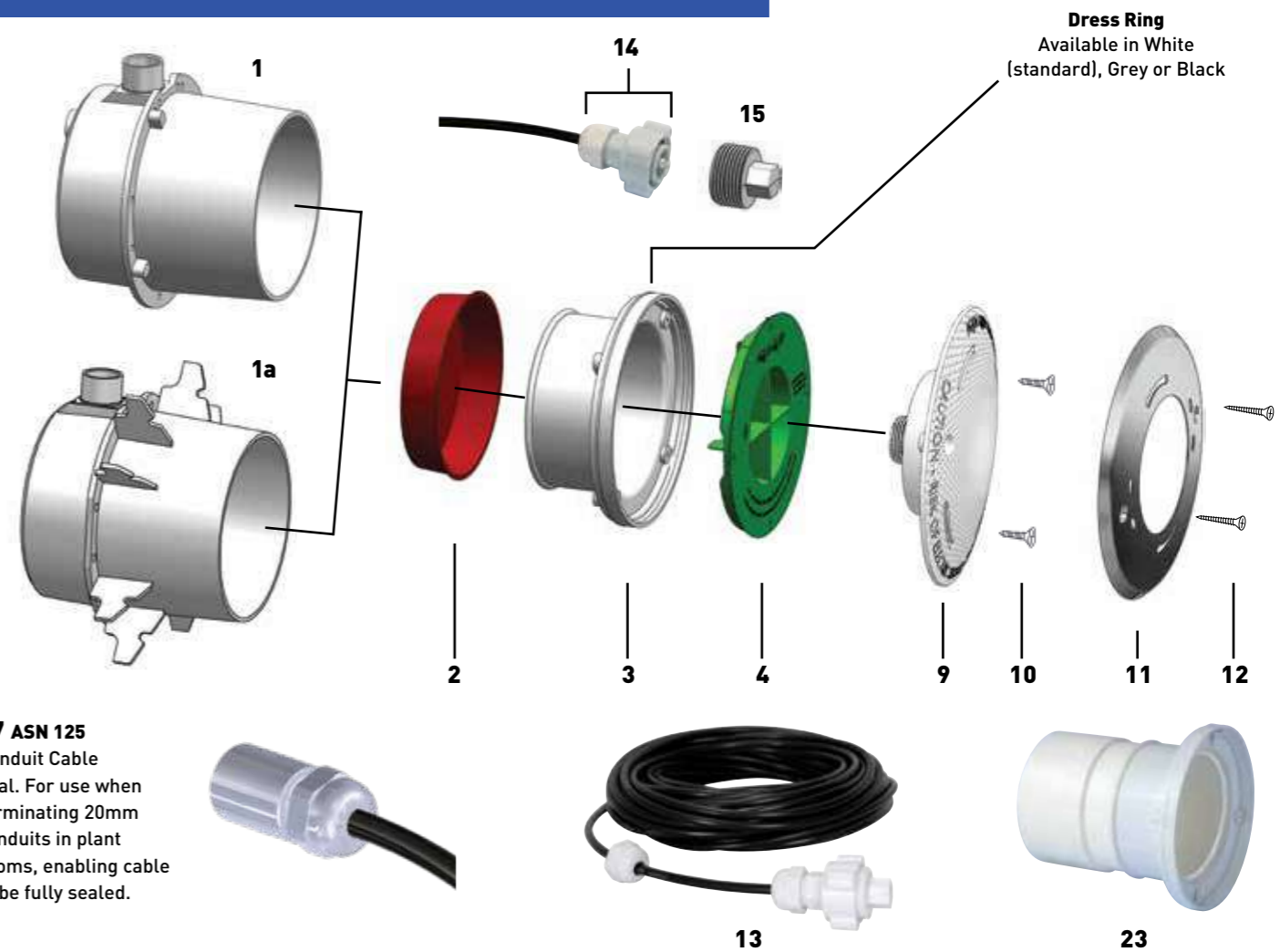


## 1b ASN 050CD

If core drilling for fitment of Evo2 or EvoMAX lights, this Niche has a conduit connection and internal cable seal located at the rear of the Niche.

# SPARE PARTS

for  
EVO MAX



## 17 ASN 125

Conduit Cable Seal. For use when terminating 20mm conduits in plant rooms, enabling cable to be fully sealed.

## EVO2 ACCESSORIES

Item Code	Description
1	ASN 050 Evo2 Housing
1a	ASN 050W Evo2 Housing – With Re-Bar Wings
1b	ASN050CD Evo2 Housing – Rear Conduit Provision
2	ASL 116 Evo2 Protective Cap For Housing (Red)
3	ASL 051 Evo2 Adjustable Dress Ring
3	ASL 051G Evo2 Adjustable Dress Ring – Grey
3	ASL 051B Evo2 Adjustable Dress Ring – Black
4	ASL 130 Evo2 Plaster Cap For Dress Ring (Green)
14	ASN 375 Plug Kit for Evo2/EvoMax Lights
15	ASN 361 Evo2 Plug Cap
23	ASL 076 Evo2 Extended Dress Ring
7	ASS 056 Evo2 Stainless Steel Trim Ring Kit
6	ASL 065 Evo2 Screw Kit Standard (Ka40x14)
8	ASN 600 Evo2 Screw Kit – For SS Ring (Ka40x20)

Specify if ordering lights only for fibreglass pools.  
Specify Fascia colour – White (standard), Grey or Black.

## EVO2 LED LIGHTS ONLY – CONCRETE

Item Code	Description
5	ASN 401 Blue LED Evo2 Light Only – Concrete
5	ASN 402 White LED Evo2 Light Only – Concrete
5	ASN 405 Warm White LED Evo2 Light Only – Concrete
5	ASN 403 Green LED Evo2 Light Only – Concrete
5	ASN 404T MULTI RGB LED Evo2 Light Only – Concrete INSTATOUGH Program
5	ASN 404TX PRO RGB+W LED Evo2 Light Only – Concrete INSTATOUGH Program
5	ASN 404AX PRO RGB+W LED Evo2 Light Only – Concrete ASTRAL Program
5	ASN 404JX PRO RGB+W LED Evo2 Light Only – Concrete JANDY GENERIC Program
5	ASN 404HX PRO RGB+W LED Evo2 Light Only – Concrete HAYWARD Program
5	ASN 404PX PRO RGB+W LED Evo2 Light Only – Concrete PENTAIR Program

## EVO2 CABLES ONLY

Item Code	Description
13	ASN 420 20M Evo2 Cable & Quick-Connect Plug
13	ASN 430 30M Evo2 Cable & Quick-Connect Plug
13	ASN 440 40M Evo2 Cable & Quick-Connect Plug
13	ASN 450 50M Evo2 Cable & Quick-Connect Plug

## EVO MAX ACCESSORIES

Item Code	Description
1	ASN 050 EvoMax Housing
1a	ASN 050W EvoMax Housing – With Re-Bar Wings
2	ASL 116 EvoMax Protective Cap For Housing (Red)
3	ASL 051 EvoMax Adjustable Dress Ring
3	ASL 051G EvoMax Adjustable Dress Ring – Grey
3	ASL 051B EvoMax Adjustable Dress Ring – Black
4	ASL 130 EvoMax Plaster Cap For Dress Ring (Green)
14	ASN 375 Plug Kit for Evo2/EvoMax Lights
15	ASN 361 EvoMax Plug Cap
23	ASL 076 EvoMax Extended Dress Ring
10	MXA 065 EvoMax Screw Kit Standard (Ka40x20)
12	MXA 066 EvoMax Screw Kit – For SS Ring (Ka40x25)
11	MXA 056 EvoMax Stainless Steel Trim Ring Kit
17	ASN 125 EvoMax/Evo2 Conduit Cable Seal

## EVO MAX LED LIGHTS ONLY – CONCRETE

Item Code	Description
9	MXA 101 Blue LED EvoMAX Light Only – Concrete
9	MXA 102 White LED EvoMAX Light Only – Concrete
9	MXA 106 Warm White LED EvoMAX Light Only – Concrete
9	MXA 103 Green LED EvoMAX Light Only – Concrete
9	MXA 104T MULTI RGB LED EvoMAX Light Only – Concrete
9	MXA 104TX PRO RGB+W LED EvoMAX Light Only – Concrete INSTATOUGH Program
9	MXA 104AX PRO RGB+W LED EvoMAX Light Only – Concrete ASTRAL Program
9	MXA 104JX PRO RGB+W LED EvoMAX Light Only – Concrete JANDY GENERIC Program
9	MXA 104HX PRO RGB+W LED EvoMAX Light Only – Concrete HAYWARD Program
9	MXA 104PX PRO RGB+W LED EvoMAX Light Only – Concrete PENTAIR Program

## EVO MAX CABLES ONLY

Item Code	Description
13	ASN 420 20M EvoMAX Cable and Quick-Connect Plug
13	ASN 430 30M EvoMAX Cable and Quick-Connect Plug
13	ASN 440 40M EvoMAX Cable and Quick-Connect Plug
13	ASN 450 50M EvoMAX Cable and Quick-Connect Plug

# SPARE PARTS

for  
QC LED Surface Mounted Light



**2. Render Ring**  
P/N APL061

**3. Universal Mounting Bracket**  
P/N APL050

**1. Light only - front view**  
P/N LED021-024Q

**4. Design Ring - factory fitted to the front of the light and can be easily unclipped if not required.**  
P/N LED151 - White  
P/N LED152 - Metallic Grey



**5. Cable with Plug Kit.**  
The cable is circular 2-core 0.75mm<sup>2</sup>, and is available in lengths of 20m, 30m and 40m.  
P/N LED420-440



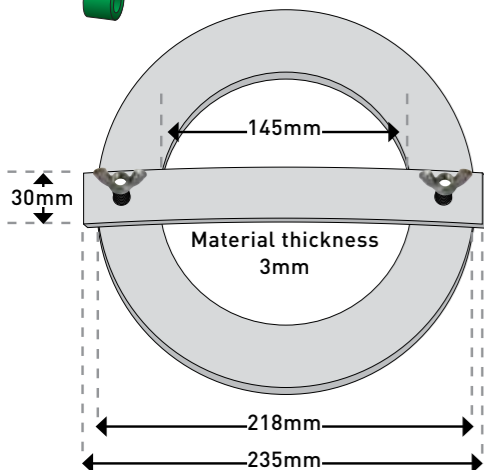
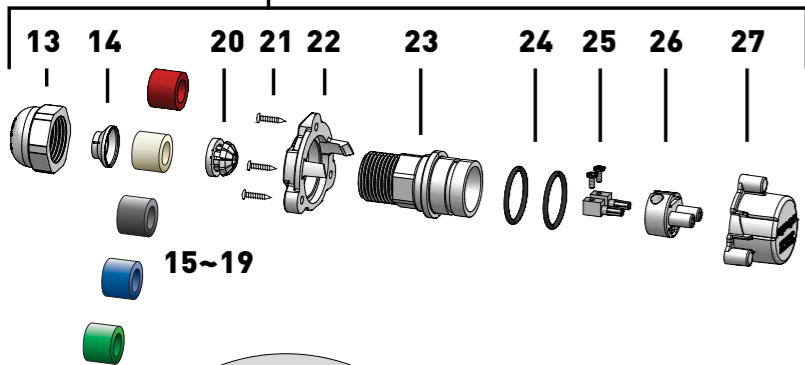
**7. Quick Connect Plug Kit.**  
This innovative plug kit is supplied with a range of colour-coded cable seals, allowing it to be connected to a range of cable thicknesses. It simply plugs into the rear of the QC LED Light and is secured with three screws.  
P/N LED375

**12. Cable Hook.**  
P/N APL802

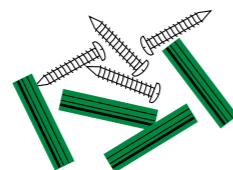


**6. PE-6 Screw Kit.**  
P/N APL006

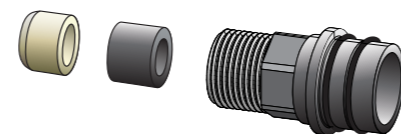
**1. Light only - rear view**



**9. Locating Bar Assembly (left)** required for Stroud SM400 and Filtrite retro-fits. P/N APL075



**10. Retro-Fit Screw Kit** to affix the Universal Mounting Bracket to the concrete pool wall. P/N APL071



**8. Thick Cable Kit**  
Use when retro-fitting a Aqua-Quip QC Surface Mounted LED Pool Light onto an existing cable that is too thick (or has become swollen over time).  
P/N ASN119



**11. Extension Cable Joining Kit.**  
60cm long to extend the original cable. Available in 1mm<sup>2</sup> (P/N LED114), 1.5mm<sup>2</sup> (P/N LED115) and 4mm<sup>2</sup> (P/N LED120).

# SPARE PARTS

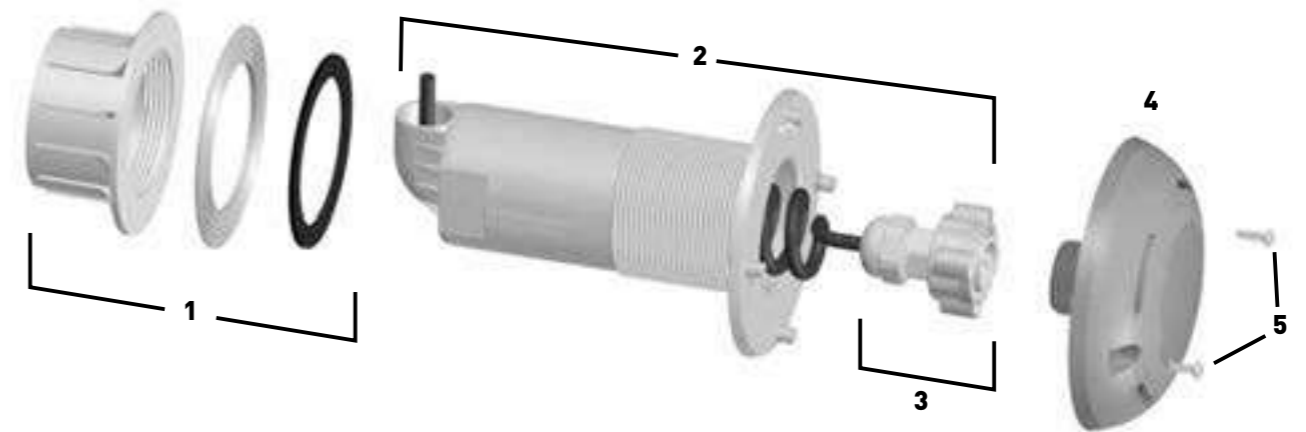
for  
QC LED Surface Mounted Light

Item Code	Description
1	LED 021 Blue LED QC Light Only
1	LED 022 White LED QC Light Only
1	LED 023 Green LED QC Light Only
1	LED 026 Warm White LED QC Light Only
1	LED 024T Multi-Colour LED QC Light Only
1	LED 024Q Quad-Colour LED QC Light Only
5	LED 420 20M Cable With QC Plug Kit
5	LED 430 30M Cable With QC Plug Kit
5	LED 440 40M Cable With QC Plug Kit
3	APL 050 Universal Mounting Bracket
3	APL 050S Universal Mounting Bracket - Short Posts
2	APL 061 Render Ring (Inc Screws)
4	LED 151 Design Ring - White
4	LED 152 Design Ring - Metallic Grey
6	APL 006 PE-6 Screw Kit For Mounting Bracket
7	LED 375 QC Series Quick Connect Plug Kit
8	ASN 119 Thick Cable Kit For QC And Evo Series
9	APL 075 Locating Bar Assembly For SM400 And Filtrite
10	APL 071 Retro Fit Screw Kit (Bracket To Wall)

Item Code	Description
11	LED 114 QC Extension Cable Joining Kit (1mm <sup>2</sup> Cable)
11	LED 115 QC Extension Cable Joining Kit (1.5mm <sup>2</sup> Cable)
11	LED 120 QC Extension Cable Joining Kit (4mm <sup>2</sup> Cable)
12	APL 802 Cable Hook
13	ASN 366 Cable Nut
14	ASN 367 Washer
15	ASN 373 Green Seal (Suits Gauge .5mm <sup>2</sup> Cable)
16	ASN 374 Blue Seal (Suits Gauge .75mm <sup>2</sup> Cable)
17	ASN 370 Red Seal (Suits Gauge 1mm <sup>2</sup> Cable)
18	ASN 371 White Seal (Suits Gauge 1.5mm <sup>2</sup> Cable)
19	ASN 372 Black Seal (Suits Gauge 2.5mm <sup>2</sup> - 4mm <sup>2</sup> Cable)
20	ASN 365 Cable Clamp
21	APL 806 Screw Kit For Cable Bracket
22	APL 804 Cable Bracket
23	ASN 363 Connector Housing
24	ASN 380 O-Ring Kit
25	ASN 611 Female Pin Kit
26	ASN 362 Female Plug (AU)
27	APL 803 Cable Cap

# SPARE PARTS

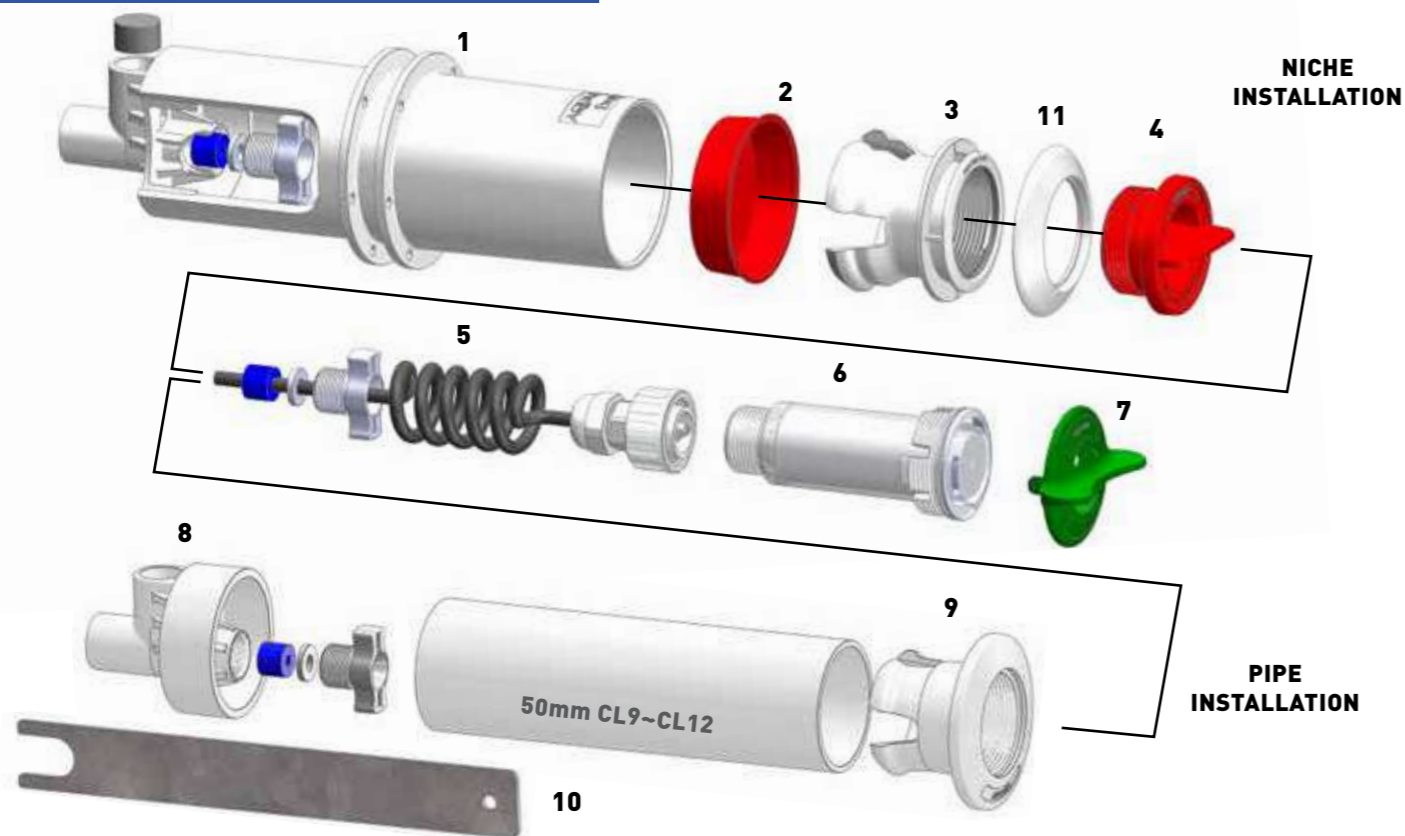
for  
EvoFG



## EVO FG LED LIGHTS FOR FIBREGLASS AND A/G VINYL POOLS

Item Code	Description
1	ASG 125 EvoFG Nut & Gasket Kit
2	ASG 9420 EvoFG Housing & Cable Kit 20M
2	ASG 9430 EvoFG Housing & Cable Kit 30M
3	ASR 375 EvoFG Quick Connect Plug Kit
4	ASG 201 EvoFG LED Light Only - Blue
4	ASG 202 EvoFG LED Light Only - White
4	ASG 207 EvoFG LED Light Only - Warm White
4	ASG 203 EvoFG LED Light Only - Green

Item Code	Description
4	ASG 204T EvoFG LED Light Only - MULTI RGB INSTATOUGH Program
4	ASG 204TX EvoFG LED Light Only - PRO RGB+W INSTATOUGH Program
4	ASG 204AX EvoFG LED Light Only - PRO RGB+W ASTRAL Program
4	ASG 204JX EvoFG LED Light Only - PRO RGB+W JANDY GENERIC Program
4	ASG 204HX EvoFG LED Light Only - PRO RGB+W HAYWARD Program
4	ASG 204PX EvoFG LED Light Only - PRO RGB+W PENTAIR Program
5	ASG 115 Evo FG Screw Kit



Code	Item	Description
1	EPL 410	EvoLV Niche
2	EPL 411	Concrete Cap
3	EPL 412W	EvoLV Render Ring - White
3	EPL 412G	EvoLV Render Ring - Grey
3	EPL 412B	EvoLV Render Ring - Black
4	EPL 413	EvoLV Render Cap
5	EPL 420	20m Cable, with Plug Kit & Cable Seal Assy.
5	EPL 430	30m Cable, with Plug Kit & Cable Seal Assy.
5	EPL 440	40m Cable, with Plug Kit & Cable Seal Assy.
6	EPL 401M	EvoLV Light Only - Blue
6	EPL 402M	EvoLV Light Only - Cool White
6	EPL 403M	EvoLV Light Only - Warm White
6	EPL 404HT	EvoLV Light Only PRO RGB+W - INSTATOUGH Program
6	EPL 404HA	EvoLV Light Only PRO RGB+W - ASTRAL Program

Code	Item	Description
6	EPL 404HJ	EvoLV Light Only PRO RGB+W - JANDY Program
6	EPL 404HH	EvoLV Light Only PRO RGB+W - HAYWARD Program
6	EPL 404HP	EvoLV Light Only PRO RGB+W - PENTAIR Program
7	EPL 433	Installation Tool
8	EPL 431	EvoLV End Cap (Suits 50mm Pipe)
9	EPL 432W	Press-Fit Adaptor - White (Suits 50mm Pipe)
9	EPL 432G	Press-Fit Adaptor - Grey (Suits 50mm Pipe)
9	EPL 432B	Press-Fit Adaptor - Black (Suits 50mm Pipe)
10	EPL 434	Spanner For Cable Seal Assy.
11	EPL115CR	FASCIA RING - CLEAR
11	EPL115WH	FASCIA RING - WHITE
11	EPL115GY	FASCIA RING - GREY
11	EPL115BK	FASCIA RING - BLACK

### Notes:

- The EvoLV Niches and EvoLV End Caps come with two options for the connection of 20mm rigid PVC conduit. As supplied, the 90 degree conduit inlet is open and the straight inlet is blanked off. When using the straight inlet, glue in the supplied blanking plug to close the 90 degree inlet and use a 10mm drill to open the straight inlet for your cable.
- The Spanner (Item 10, for Cable Seal tightening) is not supplied as part of the kit, and must be ordered separately
- EvoLV Niches have an overall length of 245mm and allow 1100mm of cable to be wound up. The niches can be shortened by up to 40mm, with some reduction in the available cable capacity.

- The length of the EvoLV Niche can be extended if required by inserting Ø65mm DWV pipe.
- When using 50mm PVC pipe with EvoLV End Caps, the minimum straight pipe length should be 270mm to enable fitment of the light and 800mm of cable. The maximum straight pipe length is 310mm or less, otherwise the spanner will not reach the cable seal.
- Cable Seal Kit (compression nut, washer, seal) is supplied fitted to the cable, and is not part of the EvoLV Niche or EvoLV End Cap.

\*Render Rings and Press-Fit Adaptors also available in Grey and Black. Add "G" or "B" to order code.

### EVO2 • EVOMAX • AURORA • EVOFG • EVOLV • OC SERIES LED LIGHTS ONLY

InstaTouch enabled LED Pool Lights may be controlled using either Aqua-Quip's Insta Touch remote-control system or by manually controlling the lights at a wall switch. Here, we describe manual operation using a wall switch.

### CHANGING MODES

When the lights are turned on for the very first time, they will light in Slow Scroll (Mode 9 - See table, below). You advance from the current mode to the next mode by turning the light off for between 2 seconds - 5 seconds, then turning it back on. Each subsequent off/on cycle will advance to the next mode. There are seven fixed colours, six colour-changing animated shows, and the ability to select your own fixed colour from a wide palette.

MODE	NAME
1	<b>BLUE</b> (fixed colour)
2	<b>AQUA</b> (fixed colour)
3	<b>GREEN</b> (fixed colour)
4	<b>GOLD</b> (fixed colour)
5	<b>MAGENTA</b> (fixed colour)
6	<b>RED</b> (fixed colour)
7	<b>WHITE</b> (fixed colour)
8	<b>SEASIDE</b> (colour show - cool colours)
9	<b>SLOW SCROLL</b> (colour show - all colours)
10	<b>RAPID SCROLL</b> (colour show - as above but faster)
11	<b>FIREWORKS</b> (colour show - emulating a fireworks display)
12	<b>DISCO</b> (colour show with high activity)
13	<b>FLASH</b> (colour show - jumping between colours)
14	<b>COLOUR SELECTION PALETTE</b> (choose your own fixed colour)



SCAN & SAVE these instructions to your smartphone

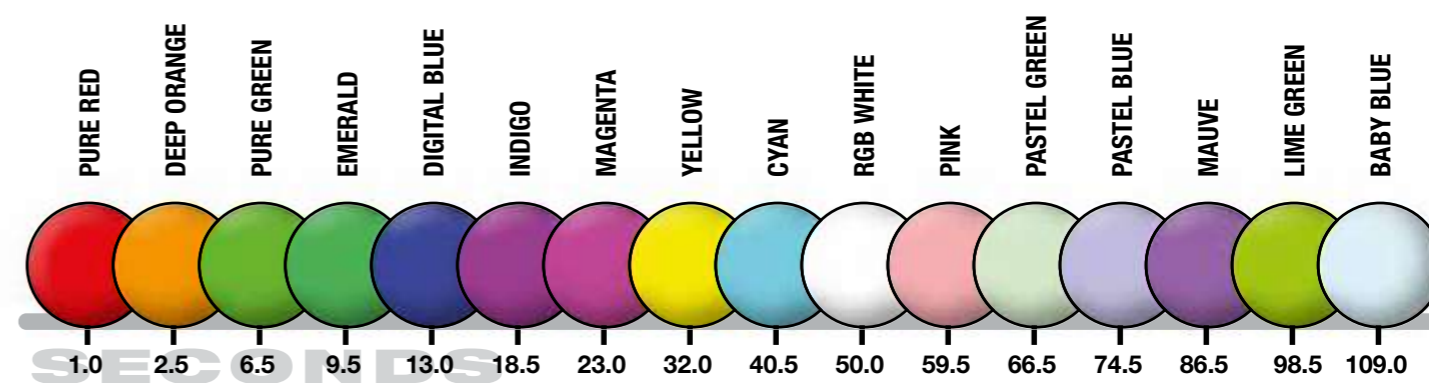
Switch OFF Time	Result
OFF for 2-5 seconds/ON	Progresses to Next Mode
OFF for 5-8 seconds/ON	Re-synchronises all lights
OFF for more than 8 seconds/ON	Recalls last active Mode

These instructions are for InstaTouch -programmed Pool Lights manufactured after November, 2018. For instructions on other programs, see Page 35.

Once you have reached Mode 14 (Colour Selection Palette), the next off-then-on cycle will take you back to Mode 1 (Blue).

**Note:** Switching off, waiting less than 2 seconds, then switching back on may result in incorrect operation.

**If the light is turned off for longer than eight seconds it remembers what mode it was in, and it turns back on in this mode.** Once you have selected a colour or show which you enjoy, you can turn the lights off knowing that they will turn on again the next evening with this same colour or show.



# CONTROLLER COMPATIBILITY

for Aqua-Quip Multi-Colour Lights

If installing Aqua-Quip multi-colour lights with these third-party controllers, then specify the controller type when ordering lights:

Controller Type	Controller's Lighting Selection	Specify When Ordering Lights
Astral Connect 10 / Connect Lite / HALO	SLX Multi-Colour Light	"Astral Controller"
Zodiac Jandy AquaLink	Jandy LED Light	"Zodiac Controller"
Hayward OmniLogic	Universal ColorLogic (UCL)	"Hayward Controller"
Pentair IntelliTouch, EasyTouch, IntelliCenter	Intellibrite	"Pentair Controller"

Aqua-Quip InstaTouch programmed lights are already compatible with the following controllers (no need to specify):

Controller Type	Controller's Lighting Selection
Wall Switch or Power Point	None
Aqua-Quip InstaTouch	None
INSNRG	AquaQuip INS
Aquatek (by Dontek Electronics)	AquaQuip INS
Theralux Active Pool+Manager	AquaQuip INS
Aquamate X	AquaQuip INS
Sunlover Oasis Smart Control System	AquaQuip INS
SplashMe Automation Controller	Aqua-Quip InstaTouch
Home Automation Systems (C-Bus etc)	Contact Aqua-Quip

## Multi-colour pool lights, program updates and compatibility:

### Program: InstaTouch Pro Series RGB+W

Introduction Date: February, 2022

Pro-Series RGB+W is now supplied as standard in Evo2, EvoMAX, EVOFG and EvoLV lights for new pool construction. RGB+W incorporates cool White LEDs alongside the Red, Green and Blue LEDs. So with RGB+W, you can select and hold a true 'white' colour. These lights will synchronise and perform the same as legacy MC1 RGB lights - but with a brighter and cleaner white light.

Pro-Series RGB+W lights are available with InstaTouch (MC1), Astral, Pentair, Hayward and Jandy programs.

### Program: InstaTouch MC1 RGB

Introduction Date: November, 2018

These RGB-only lights are still available as replacements and retro-fits so that they can synchronise with legacy pool lights. These are listed as "MULTI RGB" lights throughout this price list.

MULTI RGB lights are available with InstaTouch (MC1), Astral, Pentair, Hayward and Jandy programs to match legacy lights with those programs.

### Program: SP3 Multi-Colour

Introduction Date: 2008

Lights with SP3 program are available as special orders only, to match legacy lights with SP3 programs. SP3 programmed lights do not synchronise with InstaTouch lights.

# LIGHT PROGRAM IDENTIFICATION

Aqua-Quip's LED Multi Colour Pool Lights are manufactured and programmed to operate from a variety of 3rd party controllers.

Each controller has its own unique way of operating, so the program loaded into each LED light must match the colour changing protocols of each controller. Regardless of the type of programming loaded into a light, its multi-colour programs can also be controlled from a wall switch/power point.

To identify the specific programming in your pool lights (in order to operate them correctly), follow the operating instructions that were originally provided with the pool lights. If these instructions have been misplaced, then check the label that is affixed to the rear of the light – refer to Table 1. If you cannot easily access the lights to check the label, then follow the "Synchronising Protocol" in Table 1 – one by one – until you identify the specific programming.

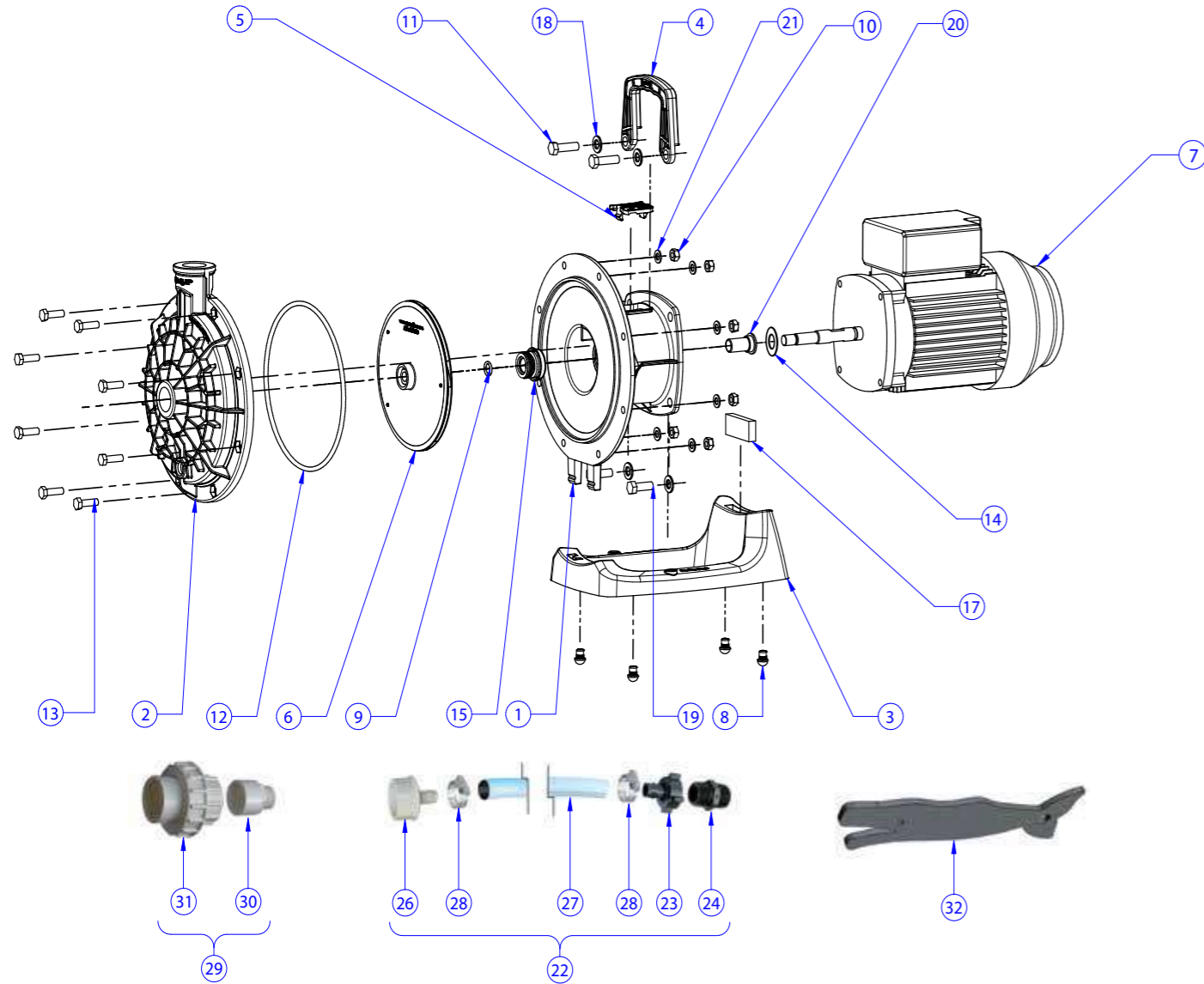
**Note** If you have a 3rd Party controller or automation system, then it is likely that the lights are programmed to suit that controller. If the lights are not responding to the commands from the controller or remote-control system, then plug the transformer(s) into a standard main outlet, and operate the lights manually to re-synchronise. It is always best to carry out these procedures at night so you can more easily match the programming with the visible colours in your pool.

TABLE 1

LABEL	HOW TO SYNCHRONISE	PROCEED TO NEXT COLOUR OR SHOW	SAVE CURRENT MODE	PDF FULL INSTRUCTIONS (SCAN QR CODE)
<b>AQUA-QUIP INSTA-TOUCH</b> • MC1 RGB • PRO-SERIES RGB+W	Start with lights on for more than 10 seconds. Turn lights off, wait 5-8 seconds, turn back on. Lights should re-start in Blue. <i>*InstaTouch firmware, identifiable by the black label, was introduced in November, 2018</i>	Turn lights off, wait 2-5 seconds, turn back on.	Turn lights off, wait a minimum of 8 seconds, turn on.	
<b>AQUA-QUIP SP3 MULTICOLOUR</b>	Start with lights on for more than 10 seconds. Turn lights quickly off-on-off-on. Lights should start in Red and start scrolling in Colour Selection Mode. <i>*SP3 firmware, identifiable by the yellow label, was introduced in August, 2008. It was superseded by InstaTouch firmware in November 2018.</i>	Whilst in Colour Selection Mode, either wait for your favourite colour to appear, turn off for minimum 10 seconds, turn back on. Or, single off-on progresses through colour shows.	Turn lights off, wait a minimum of 10 seconds, turn on.	
<b>ASTRAL VIRON CONNECT</b>	Start with lights on for more than 10 seconds. Turn lights off for a minimum of 3 seconds, turn back on, then within 2 seconds turn them quickly off-on-off-on. Lights should re-start in Blue.	Turn lights quickly off-on-off-on. Repeated off/on switches proceed through the colours and shows.	Turn lights off, wait a minimum of 10 seconds, turn on.	
<b>ZODIAC AND GENERIC</b>	Start with lights on for more than 10 seconds. Turn lights off, wait 4-6 seconds, turn back on. Lights should re-start in White.	Turn lights off, and turn back on within 3 seconds.	Turn lights off, wait a minimum of 7 seconds, turn on.	
<b>PENTAIR</b>	Start with lights on for more than 10 seconds. Turn lights off/on quickly. Lights should re-start in SAM colour show.	Turn lights off/on repeatedly until desired colour or colour show is reached.	Turn lights off, wait a minimum of 20 seconds, turn on.	
<b>HAYWARD</b>	Start with lights on for more than 20 seconds. Turn lights off, wait 11-14 seconds, turn back on. Lights should start in Voodoo Lounge colour show.	Turn lights off, wait 1-5 seconds, turn back on.	Turn lights off, wait a minimum of 20 seconds, turn on.	

# SPARE PARTS

for  
Aqua-Boost Booster Pump

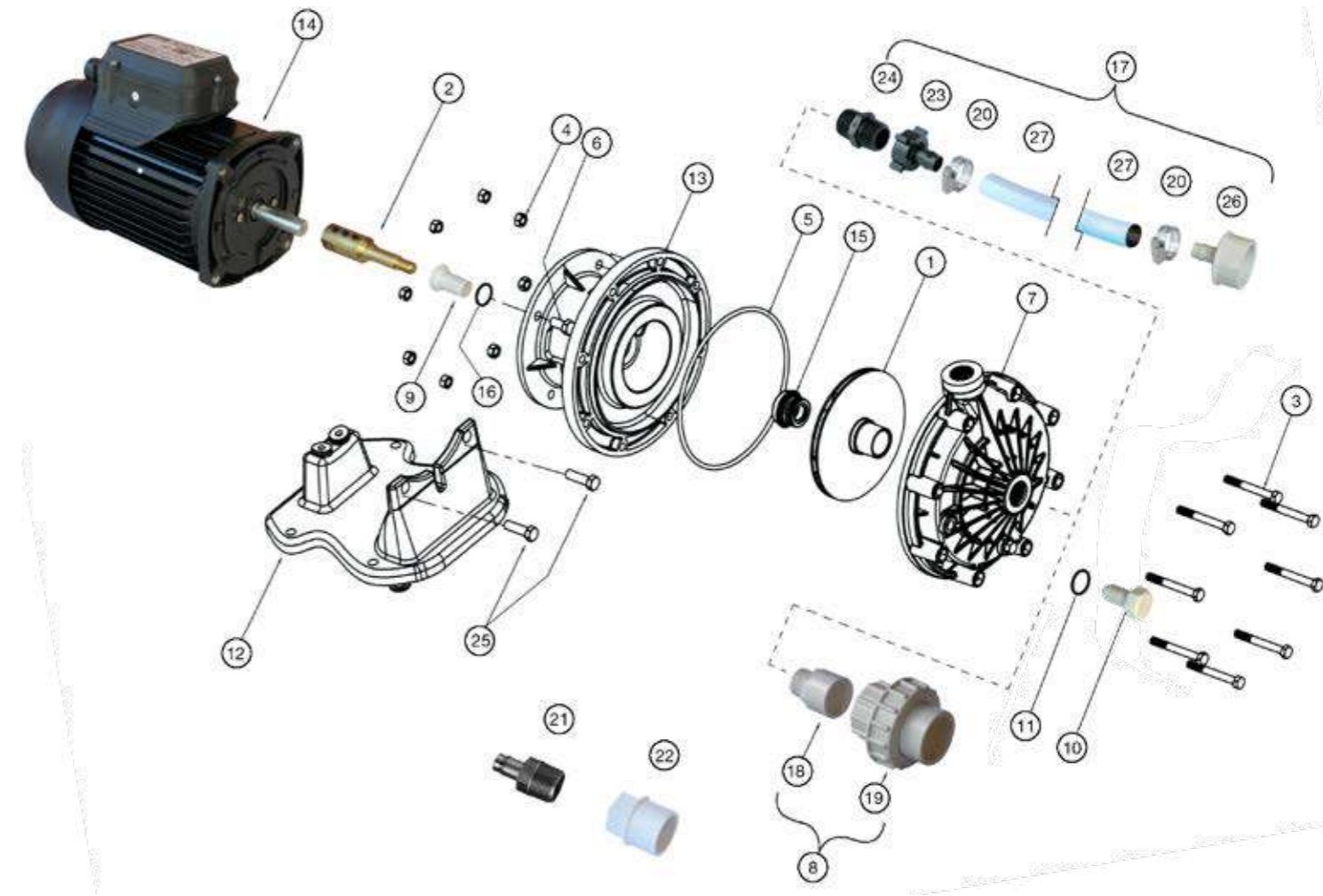


Item Code	Description
1	ABP002 Aqua-Boost Seal Plate
2	ABP001 Aqua-Boost Volute
3	ABP097 Aqua-Boost Base Complete (Inc ABP095 & LJP019)
4	ABP003 Aqua-Boost Carry Handle
5	ABP006 Aqua-Boost Shaft Access Cover
6	ABP040 Aqua-Boost Impeller Complete
7	ABP091 Aqua-Boost Motor
8	LJP019 Aqua-Boost Base Bushings
9	APP079 Aqua-Boost Impeller O-Ring
10	ABP034 Aqua-Boost Nut - Volute
11	ABP036 Aqua-Boost Motor Screw - Upper
12	ABP035 Aqua-Boost Volute O-Ring
13	APL213 Aqua-Boost Bolt - Volute
14	ABP025 Aqua-Boost Rubber Slinger
15	APP009 Aqua-Boost Mechanical Seal Kit

Item Code	Description
17	ABP095 Aqua-Boost Motor Support
18	ABP032 Aqua-Boost Washer - Seal Plate
19	ABP031 Aqua-Boost Motor Screw - Lower
20	APP013 Aqua-Boost Shaft Sleeve
21	ABP033 Aqua-Boost Washer - Volute
22	LJP012 Aqua-Boost Flexi Plumbing Kit
23	MIS022 Nut And Tail
24	MIS023 Threaded Nipple
26	LJP030 Barbed Fitting (40mm Inside, 50mm Outside)
27	MIS028 White Flexi Hose 90cm
28	MIS012 Stainless Steel Clamp
29	LJP010 Aqua-Boost Pvc Fitting Kit
30	BPF001 Valve Adaptor 40mm X 25mm
31	QPF037 Barrel Union 40mm
32	ABP019 Impeller Removal Tool

# SPARE PARTS

for  
USA Booster Pump



Item Code	P/N	Description
1	LJP 001 LA021-5	Impellor
2	LJP 002 LA05-5	Brass Shaft Extension
3	LJP 003 LA11-5	Bolt - Volute
4	LJP 004 LA12-5	Nut - Volute
5	LJP 005 LA41-5	O-Ring - Volute
6	LJP 006 LA13-5	Bolt - Motor
7	LJP 009 LA39-5	Volute [Face Plate]
8	LJP 010 LA49-5D	Pvc Fitting Kit (Suction and Discharge)
9	APP 013 LA06-5	Pump Shaft Sleeve
10	LJP 013 LA385	Drain Plug
11	LJP 014 LA375	O-Ring For Drain Plug
12	LJP 015 LA41	Pump Stand - New Style
13	LJP 017 LA295	Seal Plate
14	LJV 202 80725 2TTD-A11	Motor
15	APP 009	Mechanical Seal Assembly

Item Code	P/N	Description
16	APP 079	Impellor O-Ring
17	LJP 012	Flexi Plumbing Kit (Suction and Discharge)
18	BPF 001 34010	Valve Adaptor 40mmx 25mm Thread
19	QPF 037 36590	Barrel Union 40Mm
20	MIS 012 1432	Stainless Steel Clamp
21	MIS 013 1925	Threaded Director
23	MIS 022 NT2519	1" Nut And 19mm Tail
24	MIS 023 N2525	Nipple 1"
25	LJP 021 LA13-6	Bolt - Stand/Motor
22	BPF 002 2540	Faucet Adaptor 40mm x 25mm
26	LJP 030 194050	Barbed Fitting (40mm Inside, 50mm Outside)
27	MIS 028 WPH 900-19	White Flexi Hose 90cm

# DOWNLOADS & LINKS

Scan the QR Code



Price List 2023-24 PDF



Price List Excel



Product Brochures



Product Images



Product and Installation Videos



Evo2 Light Installation Manual



EvoMAX Light Installation Manual



EvoFG Light Installation Manual



QC Light Installation Manual



QC Series Retro-Fit Installation Manual



QC Quattro Operating Manual



Aurora Light Installation Manual



EvoLV Pipe Light Installation Manual



EvoCR Light Installation Manual



Evo Series Retro & Plug kit Installation Manual



Transformers Installation Manual



Jet-Vac Installation Manual



Jet-Vac Tune Up Kit



Flow Control Pro Plus Timer



Booster Pumps Installation Manual



InstaTouch Lighting Controller Installation Manual



Dual Zone Remote Controller Operating Manual



Lighting Manual



LED Light Photometry



Twister Installation Manual & Parts Diagram

## HOW TO:

1. **SCAN** the QR code with your camera or QR scanner app on your mobile phone, then press to open the link shown or it will automatically open the link/pdf you scanned.

2. **SAVE – PDF** by pressing the “send” or “share” button, then choose your desired destination or app eg. Documents folder, books app etc.

- **Link** by bookmarking the webpage in your browser via the menu button ( or ).

Now it will be in your bookmarks or favourites for future reference.



## Terms and Conditions of Sale:

- All prices are subject to change or alteration without prior notice.
- All prices quoted are ex-Factory Auburn NSW.
- Invoices for goods with a gross value of less than \$250.00 including GST will incur a delivery and handling fee. Regional and interstate deliveries will incur a delivery and handling fee, regardless of the total invoice value, according to the weight and dimensions of the consignment. Automatic Pool Cleaners (Australia) Pty Ltd (Aqua-Quip) does not arrange “third party” deliveries. Minimum gross order value is \$100.00.
- Payment for goods must be made prior to delivery unless credit arrangements have been approved by Automatic Pool Cleaners (Australia) Pty Ltd (Aqua-Quip). Where there has been a failure to comply with the credit requirements previously provided, Automatic Pool Cleaners (Australia) Pty Ltd reserves the right to stop supply and require Cash on Delivery.
- Goods will be invoiced at the prices in effect at the time of delivery.
- All risks in the product shall pass to the purchaser when the goods leave Automatic Pool Cleaners (Australia) Pty Ltd (Aqua-Quip) premises and from that point, regardless of how delivery is effected, any insurance shall be the debtor’s responsibility.
- All claims for damage and/or short delivery will be recognised only if made within seven days of delivery.
- Goods may be returned for credit only with prior approval and must be in first class condition and accompanied by details of the original purchase. Goods returned will incur a handling charge made on the following basis, the percentage being calculated on the invoice value of the returned goods.
  - Goods returned after 30 days of invoice date – 10%
  - Goods returned after 60 days of invoice date – 20%
  - Goods returned after 90 days of invoice date – 30%
  - Goods over 90 days of invoice date will not be accepted for return.
- Freight on returned goods, if not prepaid by the purchaser, will be deducted from the amount of the credit. Freight charged on the original invoice will not be credited.
- In the event the account is not paid by the debtor within 30 days then the debtor shall become liable to pay our additional costs and administration charges and, at the option of Automatic Pool Cleaners (Australia) Pty Ltd (Aqua-Quip), interest shall commence to accrue at bank rate, plus 3%, with all these additional costs and interest becoming part of the outstanding debt.

Goods are sold and service or advice is given in connection therewith, on condition that the seller and their servants are not liable in contract, tort or otherwise for any loss, damage or injury to persons or property arising therefrom.

Automatic Pool Cleaners (Australia) Pty Ltd (Aqua-Quip) makes no warranty or guarantee as to the results obtained by the supplied products unless they are installed and operated in accordance with the company’s specification and recommendations.

## TITLE

- (a) Ownership in the goods supplied shall not pass to the customer until:
  - the customer has paid for these goods in full; or
  - the customer sells these goods to its customers in the ordinary course of business.
- (b) Until property in the goods passes hereunder to the Debtor, the Debtor acknowledges and agrees that:
  - the relationship of Automatic Pool Cleaners (Australia) Pty Ltd (Aqua-Quip) and the Debtor is that of bailor and bailee and nothing herein shall be interpreted as giving rise to a principal and agent relationship;

- the Debtor shall store the goods in such a way that it is clear that they are the property of Automatic Pool Cleaners (Australia) Pty Ltd (Aqua-Quip), but all costs of storage (whether or not storage is at the direction of Automatic Pool Cleaners (Australia) Pty Ltd (Aqua-Quip) shall be for the account of the Debtor;
- the Debtor irrevocably gives Automatic Pool Cleaners (Australia) Pty Ltd (Aqua-Quip), its agents and servants, leave and licence, without the necessity of giving any notice, to enter at any time on and into any premises occupied by the Debtor, to regain possession of the Products supplied.

- 1.(c) The parties covenant and agree that in the event of termination of this Agreement the provisions of this clause will survive any such termination and continue to the extent that Automatic Pool Cleaners (Australia) Pty Ltd (Aqua-Quip) may exercise the rights hereunder to recover its property and the money due to it.

Automatic Pool Cleaners (Australia) Pty Ltd (Aqua-Quip) warrants all its products to be free from original manufacturing defects and faulty materials under normal use and reasonable care for a period of 12 months, from the date of original purchase unless otherwise stated and subject to the following terms and conditions. Warranty applies only to the original purchaser. The company reserves the right to repair or replace any faulty products, at its own discretion.

Our goods come with guarantees that cannot be excluded under the Australian Consumer Law. You are entitled to a replacement or refund for a major failure and for compensation for any other reasonably foreseeable loss or damage. You are also entitled to have the goods repaired or replaced if the goods fail to be of acceptable quality and the failure does not amount to a major failure.

## Conditions of Warranty

- Service costs (including labour, transportation and travelling) are excluded from the warranty.
- The faulty components should be returned to the place of purchase. The components must be sent with proof of date of purchase details. Automatic Pool Cleaners (Australia) Pty Ltd (Aqua-Quip) reserves the right to repair or replace the faulty components at its sole discretion.
- It shall be the purchaser’s responsibility to provide safe and reasonable access to the equipment before warranty service will be performed.
- Automatic Pool Cleaners (Australia) Pty Ltd (Aqua-Quip) is not liable for the loss of time, inconvenience, incidental expenses, labour or material charges in connection with the removal, repair or replacement of the product.
- Products are specifically designed to operate in swimming pools and spa pools that are balanced in accordance with the Langlier Saturation Index and regularly treated with a chlorine based sanitizer system. Should other chemical treatment systems be used, Automatic Pool Cleaners (Australia) Pty Ltd (Aqua-Quip) will not be responsible for damage caused by corrosion, scaling or stress cracking of equipment.
- Automatic Pool Cleaners (Australia) Pty Ltd (Aqua-Quip) reserves the right to alter any or all specifications without prior notice and will not accept liability from any claims arising from any such change.
- The warranty will only cover product that has been operated in accordance with the manufacturer’s specifications. The warranty does not cover claims resulting from improper handling or maintenance, negligence, abuse, misuse, improper or faulty installation or unauthorised service.



**MADE IN  
AUSTRALIA**



**Automatic Pool Cleaners  
(Australia) Pty Ltd.**


**40 Percy Street Auburn,  
NSW 2144 Australia.**


**P +61 2 9643 8338**

**F +61 2 9643 8448**

**E [aqua@aquaquip.com.au](mailto:aqua@aquaquip.com.au)**

[aquaquip.com.au](http://aquaquip.com.au)

 [Aqua-Quip Australia](#)

 [aquaquip\\_au](#)

