

AQUABOOST™ BOOSTER PUMP

*Reliable and energy
efficient*



Ensure your pool stays crystal clear all year round with a reliable Aqua-Quip AquaBoost booster pump to drive your pressure pool cleaner.

Relax... your pool has never looked more inviting!

AQUA QUIP

AQUABOOST™ BOOSTER PUMP

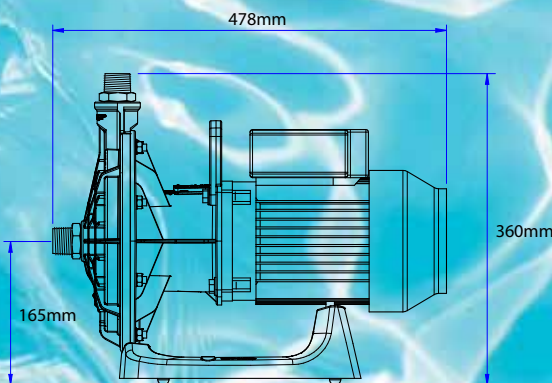
reliable and energy efficient

High output, easy to install. Proven Reliability.

Ensure your pool stays crystal clear all year round with a reliable Aqua-Quip booster pump to drive your pressure pool cleaner. High output, robust construction, energy efficient operation, low maintenance. Single centrifugal impeller ensures whisper quiet running and simplicity of operation, ensuring a trouble-free service life. Designed to suit rigid PVC connections with barrel unions or flexible hose. Compact and simple to install.

Barrel unions are supplied for direct connection to 40mm pressure pipe.

Flexible plumbing option is ideal for installations where space is limited.



N693

AQUAQUIP

AquaBoost 1100

FASCO AquaDrive 1500 Approval No: U21698

MOTOR RATING MODEL 807252STB-A28AC

| VOLTS | Hz | PH | DUTY | IP | MAX. INPUT | RATED AMPS | INS. |
|-------|----|----|------|------|------------|------------|------|
| 240 | 50 | 1 | S1 | IP25 | 1500W | 6.6 | F155 |

MOTOR CONFORMS TO AS/NZS 60335.2.41 AND EN60335.2.41

DOUBLE INSULATED TO WATER CIRCUIT. MAX. LIQUID TEMP: 38°C.

MOTOR FITTED WITH AUTO RESET OVERLOAD MAY RESTART WITHOUT WARNING.

Other Products from Aqua-Quip:



Flow Control
Timer



Jet-Vac
Pool Cleaner



Flush Mounted
LED Lights



Surface Mounted
LED Lights



Sand Filters



Pool Pumps



Saltmate
Chlorinator



Twister

AQUAQUIP

AUTOMATIC POOL CLEANERS (AUSTRALIA) PTY LTD

ABN 75 052 850 156

40 PERCY STREET AUBURN NSW 2144 PH: 02 9643 8338 FAX: 02 9643 8448

YouTube See the WOW FACTOR for yourself! Go to www.YouTube.com/user/AquaQuipPool/videos

www.aquaquip.com.au

Relax... your pool has never looked more inviting!