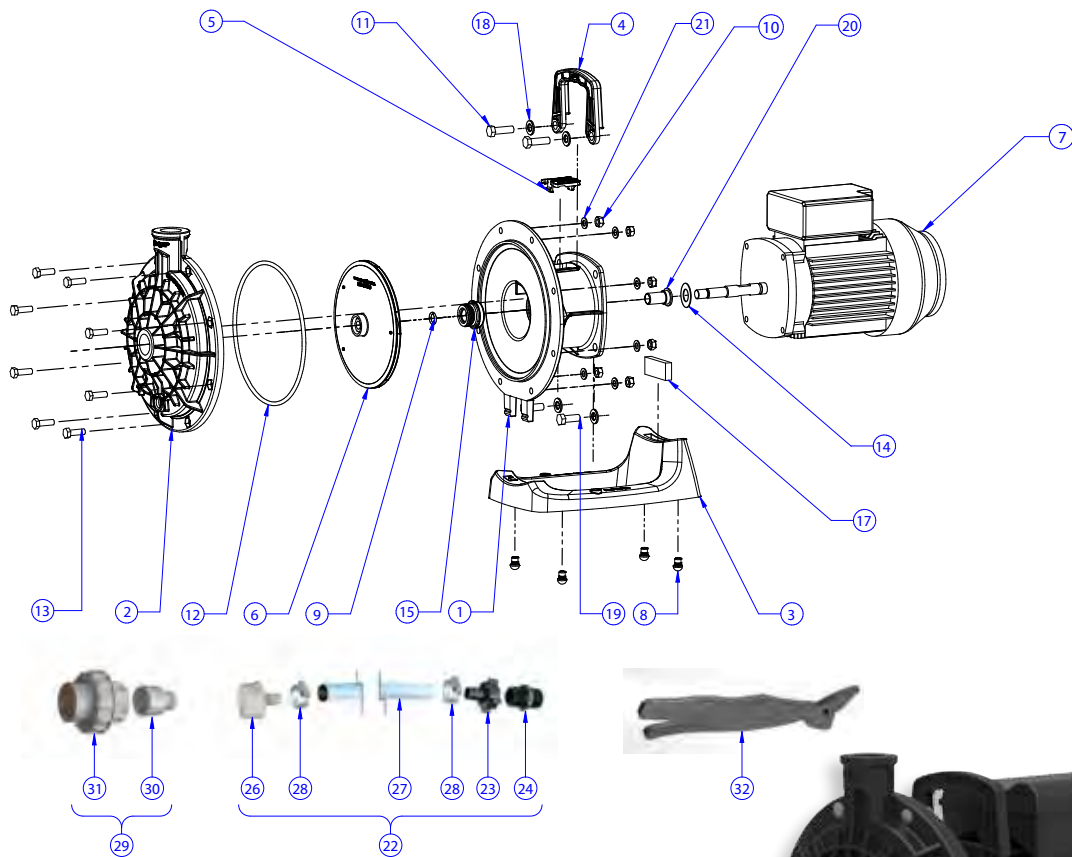


AQUABOOST™ BOOSTER PUMP

DIAGRAM AND SPARE PARTS CHART



- Australian Made
- Energy efficient, quiet operation
- Smart design, with carry handle

- Operates Jet-Vac and other pressure pool cleaners



SPECIFICATIONS		
MODEL	RATED AMPS	NOM. OUTPUT WATTS
AQUABOOST 1100	6.6	1100

CODE	ITEM #	DESCRIPTION
ABP100		AQUA-BOOST PUMP with FLEXI-HOSE KIT
ABP103		AQUA-BOOST PUMP with PVC UNIONS
ABP002	1	AQUA-BOOST SEAL PLATE
ABP001	2	AQUA-BOOST VOLUTE
ABP097	3	AQUA-BOOST BASE COMPLETE
ABP003	4	AQUA-BOOST CARRY HANDLE
ABP006	5	AQUA-BOOST SHAFT ACCESS COVER
ABP040	6	AQUA-BOOST IMPELLER COMPLETE
ABP091	7	AQUA-BOOST MOTOR
LJP019	8	AQUA-BOOST BASE BUSHINGS
APP079	9	AQUA-BOOST IMPELLER O-RING
ABP034	10	AQUA-BOOST NUT VOLUTE
ABP036	11	AQUA-BOOST MOTOR SCREW – UPPER
ABP035	12	AQUA-BOOST VOLUTE O-RING
APL213	13	AQUA-BOOST BOLT VOLUTE
ABP025	14	AQUA-BOOST RUBBER SLINGER

CODE	ITEM #	DESCRIPTION
APP009	15	AQUA-BOOST MECHANICAL SEAL KIT
ABP095	17	AQUA-BOOST MOTOR SUPPORT
ABP032	18	AQUA-BOOST WASHER SEAL PLATE
ABP031	19	AQUA-BOOST MOTOR SCREW – LOWER
APP013	20	AQUA-BOOST SHAFT SLEEVE
ABP033	21	AQUA-BOOST WASHER – VOLUTE
LJP012	22	AQUA-BOOST FLEXI-PLUMBING KIT
MIS022	23	NUT AND TAIL
MIS023	24	THREADED NIPPLE
LJP030	26	BARBED FITTING (40mm INSIDE, 50mm OUTSIDE)
MIS028	27	WHITE FLEXI HOSE 90cm
MIS012	28	STAINLESS STEEL CLAMP
LJP010	29	AQUA-BOOST PVC FITTING KIT
BPF001	30	VALVE ADAPTOR 40mm X 25mm
QPF037	31	BARREL UNION 40mm
ABP019	32	IMPELLER REMOVAL TOOL